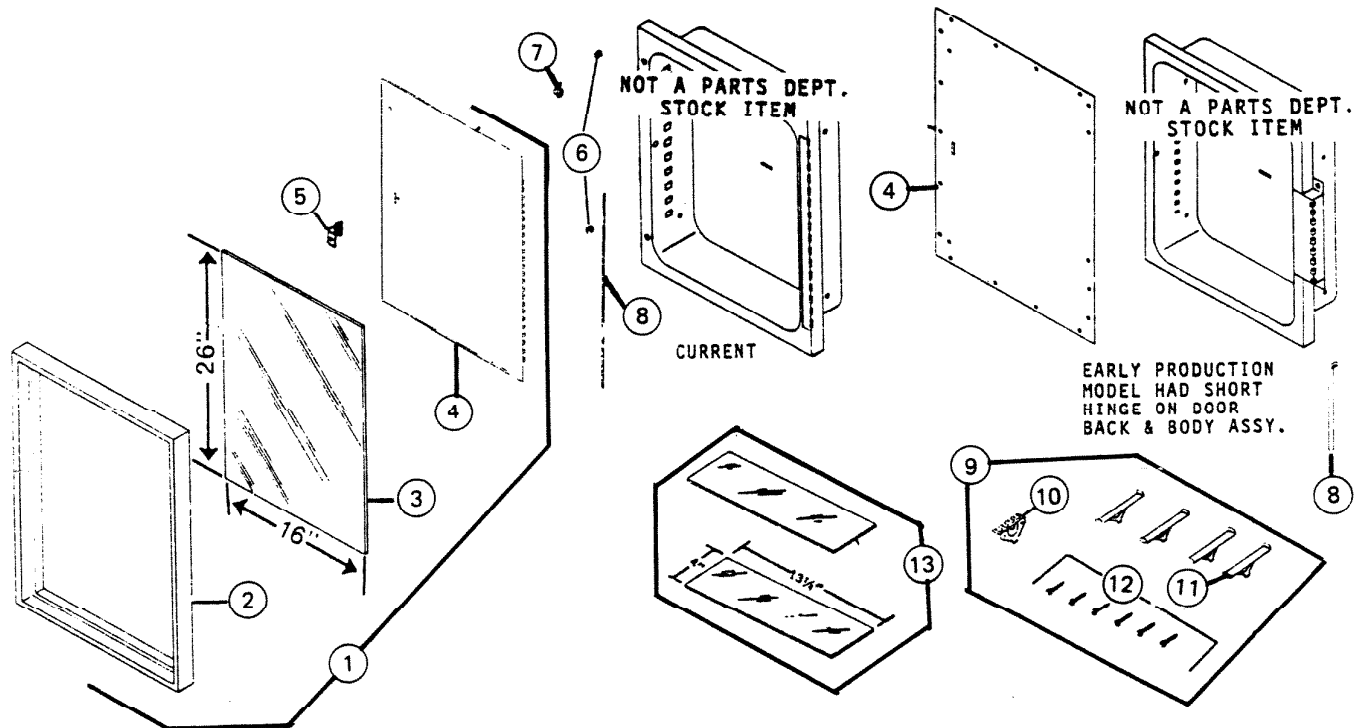


# PARTS LIST

EFFECTIVE DATE	MODEL	PRODUCT GROUP
JUNE 1981	D-29 REVISED	BATH CABINET



REF.	ORIGINAL PART NO	* PART DESCRIPTION		MODEL USED ON	CURRENT REPLACEMENT PART NO
1	93051	DOOR ASSY-COMplete		D-29	VOID NOT AVAILABLE
	94031				94031-000
2	93052	FRAME		D-29	93052-A84
3	—	MIRROR	PURCHASE LOCAL GLASS SHOP 1/2 x 16 x 26	D-29	PURCHASE LOCAL GLASS SHOP
	94848		CURRENT 3/16 x 16 x 26		94848-000
4	93040	DOOR BACK & HINGE ASSY.	EARLY PRODUCTION	D-29	93040-206
	94026		CURRENT		94026-206
5	90067	CATCH-DOOR		D-29	90067-000
6	90069	BUMPER SET (2)		D-29	2093A-000
7	90555	CATCH-BULLET		D-29	90555-000

PLEASE SEE OTHER SIDE

Niitone

PRINTED IN U.S.A.

NOTE Always order by current part number.  
PL-D29 REV.-6/81

REF.	ORIGINAL PART NO.	PART DESCRIPTION		MODEL USED ON	CURRENT REPLACEMENT PART NO.
8	90010	HINGE PIN	EARLY PRODUCTION	D-29	90010-000
	90075		CURRENT		90075-000
9	90141	HARDWARE ASSY.		D-29	90141-000
10	92264	TOOTHBRUSH HOLDER		D-29	92264-000
11	90039	SHELF SUPPORT (1) 4-REQ.		D-29	90039-000
12	69781	MOUNTING SCREW SET OF 6		D-29	69781-000
13	90042	SHELF 4" x 13 3/8"	SET OF 2	D-29	90042-000
	90743		ONE		90743-000