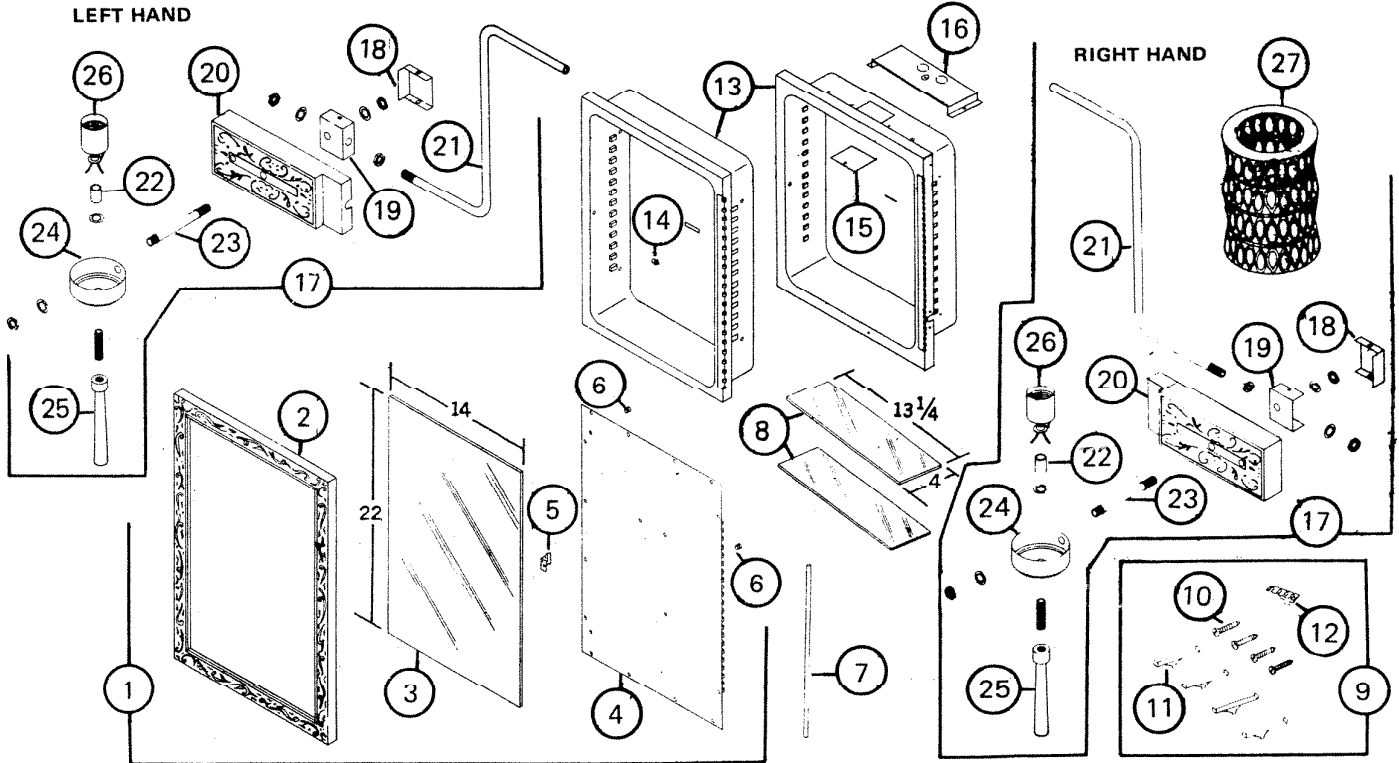


PARTS LIST

EFFECTIVE DATE	MODEL	PRODUCT GROUP
MARCH 1979	D-25, DA-25 REVISED LDA-25 NEW	BATH CABINET



REF.	ORIGINAL PART NO.	* PART DESCRIPTION	MODEL USED ON	CURRENT REPLACEMENT PART NO.
1	90100	DOOR ASSY	D-25	92605-000
	92605		DA-25, LDA-25	
2	90109	FRAME WHITE/GOLD	D-25	92610-318
	92608		DA-25	
	92610		LDA-25	
3	90106	MIRROR NOTE: MAY BE PURCHASED FROM LOCAL GLASS SHOP.	D-25, DA-25	94846-000
	94846			
4	90104	DOOR BACK & HINGE ASSY	D-25, DA-25	90104-206
	90571		LDA-25	90571-206
5	90067	CATCH-DOOR	D-25, DA-25 LDA-25	90067-000
6	90069	BUMPER SET	D-25, DA-25 LDA-25	2093A-000
7	90075	HINGE PIN	D-25, DA-25 LDA-25	90075-000
		PLEASE SEE OTHER SIDE		

NuTone Division

NOTE: Always order by current part number.

REF.	ORIGINAL PART NO.	* PART DESCRIPTION	MODEL USED ON	CURRENT REPLACEMENT PART NO.	
8	90043	SHELF/BUNDLE	one 4" x 13 1/4"	D-25, DA-25	90743-000
	90042		Set of 2	LDA-25	90042-000
9	90126	HARDWARE SET	D-25, DA-25	92265-000	
	92265		LDA-25		
10	90040	MOUNTING SCREW SET	D-25, DA-25 LDA-25	69781-000	
11	90039	SHELF BRACKET (1)	D-25, DA-25 LDA-25	90039-000	
12	90114	TOOTHBRUSH HOLDER	D-25, DA-25	92264-000	
	92264		LDA-25		
13	90097	BODY	D-25, DA-25	90058-000	
	94935		LDA-25	94935-000	
14	90555	BULLET CATCH	D-25, DA-25 LDA-25	90555-000	
15	17379	OUTLET BOX COVER	LDA-25	17379-000	
16	94940	JUNCTION BOX COVER	LDA-25	94940-000	
17	H0770	LIGHT FIXTURE	LEFT HAND	LDA-25	H0770-000
	H0771		RIGHT HAND	LDA-25	H0771-000
18	H0798	FIXTURE BOX COVER	LDA-25	H0798-000	
19	H0795	FIXTURE BOX	LDA-25	H0795-000	
20	H0789	BACK PLATE	LDA-25	H0789-000	
21	H0797	WIRING TUBE	LDA-25	H0797-015	
22	H0796	SPACER	LDA-25	H0796-000	
23	H0845	ARM	LDA-25	H0845-H14	
24	H0914	SOCKET CUP	LDA-25	H0914-H14	
25	H0922	FINIAL	LDA-25	H0922-H15	
26	H0829	LAMP SOCKET	LDA-25	H0829-000	
27	H0924	GLASS DRAPE	LDA-25	H0924-000	