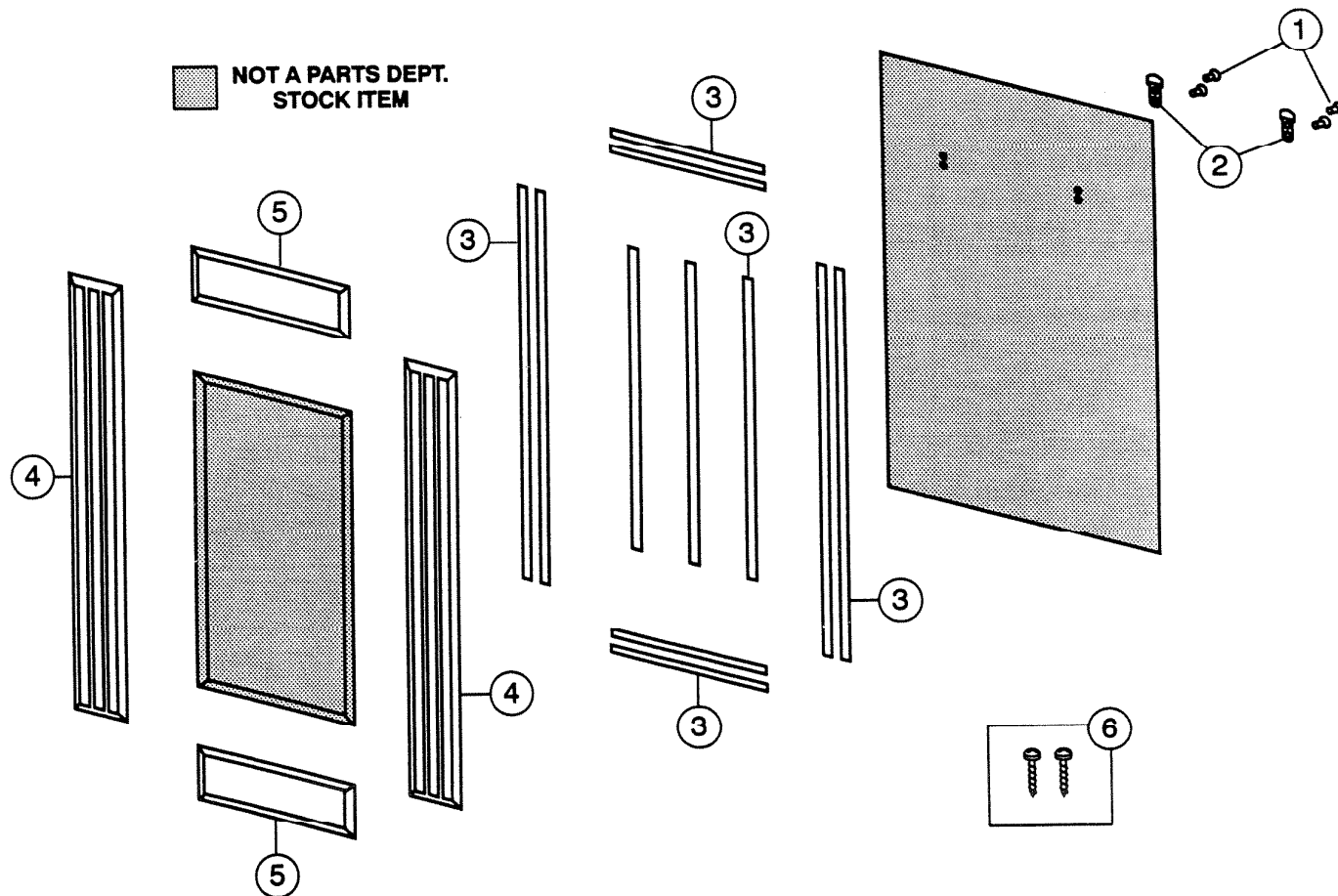


# NuTone PARTS LIST

EFFECTIVE DATE	MODEL NUMBER	PRODUCT GROUP
OCT 1993	D-2001-M NEW	BATH CABINET



REF.	ORIGINAL PART NO.	*PART DESCRIPTION	CURRENT REPLACEMENT PART NO.
1	90345	RIVET – requires 4	90345-000
2	91364	MIRROR HANGER – set of 8	69791-000
3	95953	DOUBLE FACED TAPE	95953-000
4	97478	MIRROR – SIDE	97478-000
5	97477	MIRROR – TOP AND BOTTOM	97477-000
6	65364	ENVELOPE ASSEMBLY – see note	65364-000

**NOTE:** ENVELOPE ASSEMBLY CONTAINS:  
(2) Screws #8 x 1 1/4" PH/SLT PAN HD  
TYPE A - zinc plated

**NOTE:** Always order by  
current part number