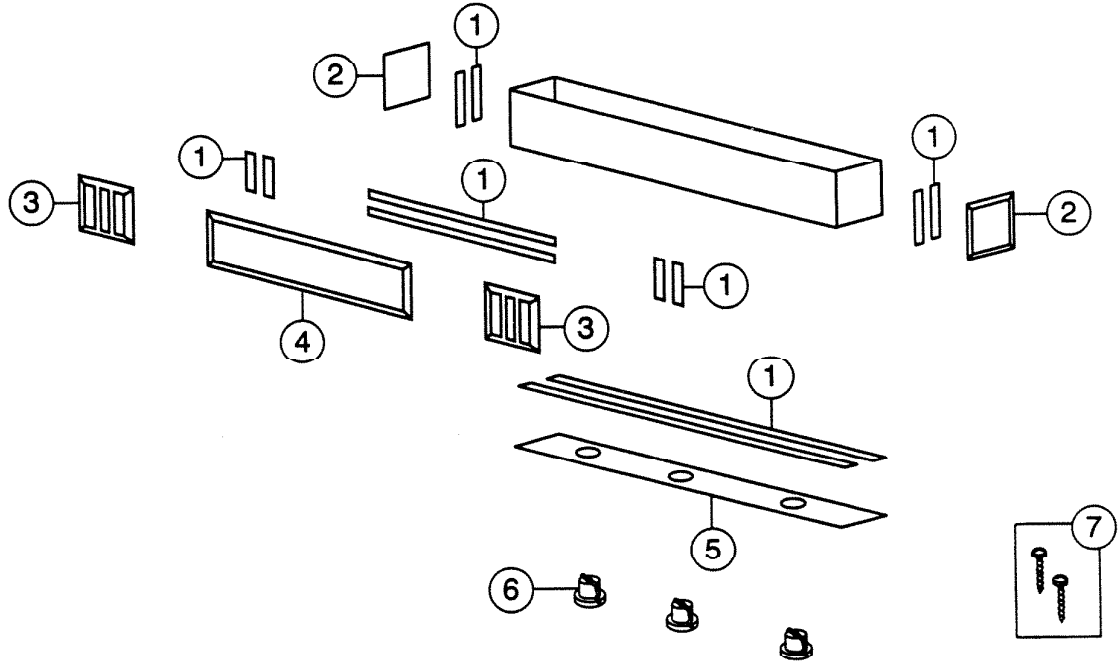


# NuTone PARTS LIST

EFFECTIVE DATE	MODEL NUMBER	PRODUCT GROUP
OCT. 1993	D-2001-LK4 D-2001-LK8 NEW	BATH CABINET



REF.	ORIGINAL PART NO.	*PART DESCRIPTION	MODEL USED ON	CURRENT REPLACEMENT PART NO.	
1	95953	DOUBLE FACED TAPE	ALL	95953-000	
2	97459	MIRROR - SIDE - requires 2	D-2001-LK4	97459-000	
	97463		D-2001-LK8	97463-000	
3	97458	MIRROR - CORNER - requires 2	ALL	97458-000	
4	97457	MIRROR - FRONT	ALL	97457-000	
5	97460	MIRROR - BOTTOM	D-2001-LK4	97460-000	
	97464		D-2001-LK8	97464-000	
6	97419	SOCKET -requires 3	ALL	97419-000	
-	L3236	GROUND SCREW	ALL	L3236-000	
-	52787	SCREW - #6 x 3/8 PH PAN HD "B"	requires 2	D-2001-LK4	52787-015
			requires 4	D-2001-LK8	
7	65364	ENVELOPE ASSEMBLY (see note)	ALL	65364-000	

**NOTE:** ENVELOPE ASSEMBLY CONTAINS:  
(2) Screws #8 x 1 1/4 PH/SLT PAN HD "A",  
zinc plated

**NOTE:** Always order by  
current part number