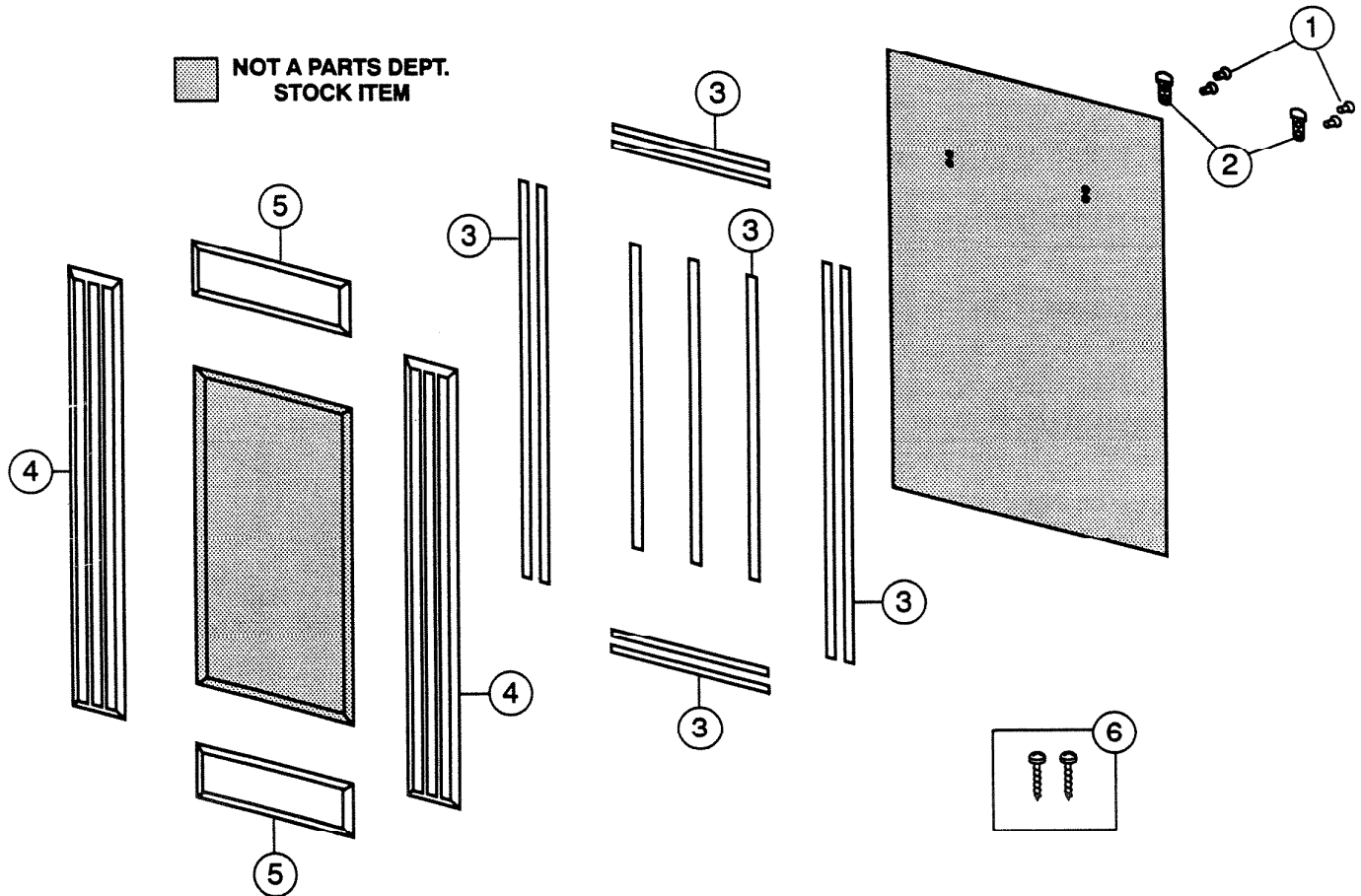


NuTone PARTS LIST

EFFECTIVE DATE	MODEL NUMBER	PRODUCT GROUP
SEPT 1993	D-2000-M NEW	BATH CABINET



REF.	ORIGINAL PART NO.	*PART DESCRIPTION	CURRENT REPLACEMENT PART NO.
1	90345	RIVET - requires 4	90345-000
2	91364	MIRROR HANGER - set of 8	69791-000
3	95953	DOUBLE FACED TAPE	95953-000
4	97476	MIRROR - SIDE	97476-000
5	97475	MIRROR - TOP AND BOTTOM	97475-000
6	65364	ENVELOPE ASSEMBLY - see note	65364-000

NOTE: ENVELOPE ASSEMBLY CONTAINS:
(2) Screws #8 x 1 1/4" PH/SLT PAN HD
TYPE A - zinc plated

NOTE: Always order by
current part number