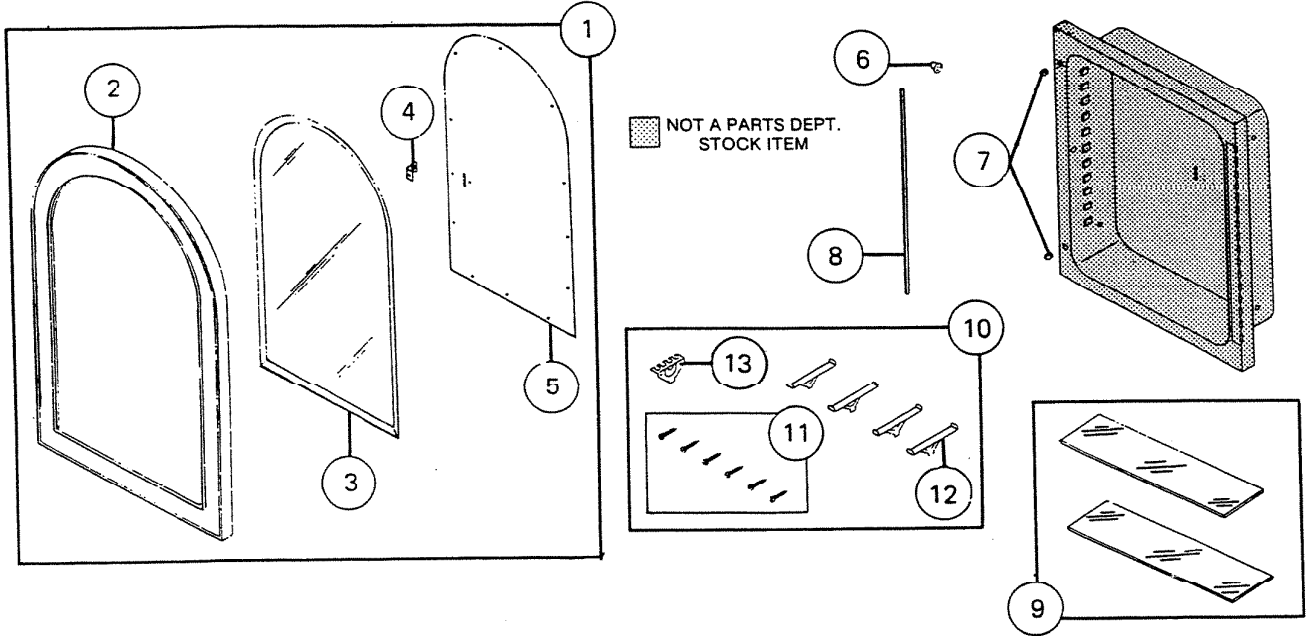


PARTS LIST

EFFECTIVE DATE	MODEL	PRODUCT GROUP
JAN. 1991	D-188HO REVISED D-188PO NEW	BATH CABINET



REF.	ORIGINAL PART NO.	* PART DESCRIPTION	MODEL USED ON	CURRENT REPLACEMENT PART NO.
1	96744	DOOR ASSEMBLY (COMPLETE)	D-188HO	96744-000
	99127		D-188PO	99127-000
2	96745	DOOR FRAME	D-188HO	96745-A08
			D-188PO	96745-A45
3	96732	MIRROR		96732-000
4	90067	DOOR CATCH		90067-000
5	96687	DOOR BACK AND HINGE ASSEMBLY		96687-206
6	90555	BULLET CATCH		90555-000
7	90069	BUMPER SET (2)	ALL MODELS	2093A-000
8	90075	HINGE PIN		90075-000
9	90042	SHELF - 4" x 13 1/4"	SET OF TWO (2)	90042-000
	90743		ONE (1)	90743-000
10	90076	HARDWARE ASSEMBLY		92265-000
11	52842	SCREW SET		69781-000
12	90039	SHELF SUPPORT (1)		90039-000
13	92264	TOOTHBRUSH HOLDER		92264-000

↑
NOTE: Always order by current part number.