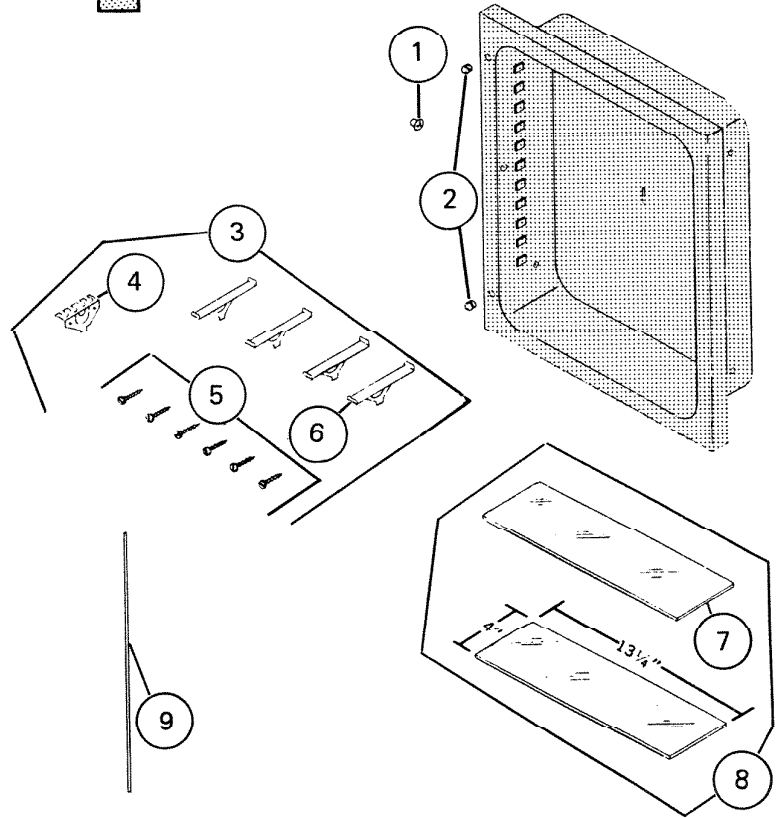
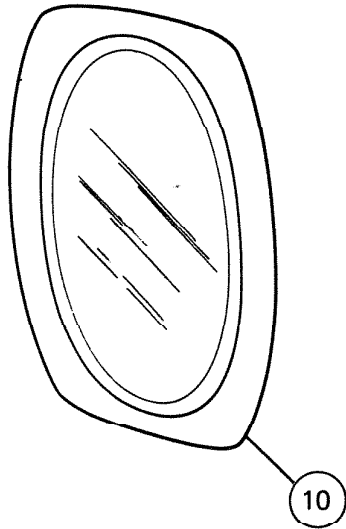


PARTS LIST

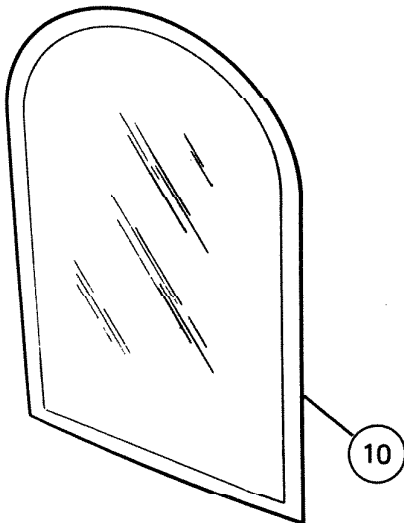
EFFECTIVE DATE	MODEL	PRODUCT GROUP
JUNE 1988	D-166, D-167 D-168 D-169, D-170 NEW	BATH CABINETS

D-166 (BRONZE)
D-167 (SMOKE)

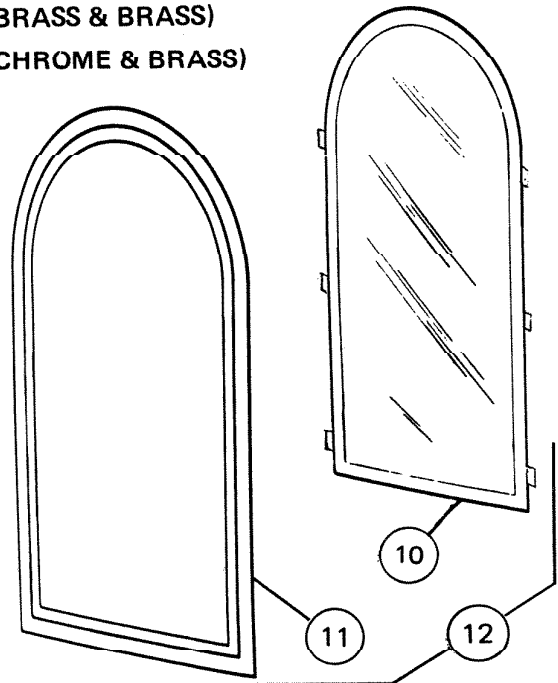
NOT A PARTS DEPT. STOCK ITEM




D-168



D-169 (BRASS & BRASS)
D-170 (CHROME & BRASS)



REF.	ORIGINAL PART NO.	* PART DESCRIPTION	MODEL USED ON	CURRENT REPLACEMENT PART NO.
1	90555	BULLET CATCH	(All Models)	90555-000
2	90069	BUMPER (2)	(All Models)	2093A-000
3	90141	HARDWARE ASSEMBLY	(All Models)	90141-000
4	92264	TOOTHBRUSH HOLDER	(All Models)	92264-000
5	52842	SCREW SET (6) – No. 8 x 1-1/4 P.H. PAN HD.	(All Models)	69781-000
6	90039	SHELF SUPPORT (1)	(All Models)	90039-000
7	90743	SHELF (1) – 4" x 13-1/4"	(All Models)	90743-000
8	90042	SHELF BUNDLE	(All Models)	90042-000
9	90010	HINGE PIN	D-166,D-167	90010-000
	90075		D-168,D-169, D-170	90075-000
10	96798	MIRROR (WITH DOOR BACK) – Complete	D-166	96798-000
	96799		D-167	96799-000
	96790		D-168	96790-000
	0755A		D-169,D-170	0755A-000
11	96891	FRAME	D-169	96891-000
	96892		D-170	96892-000
12	96889	DOOR ASSEMBLY (Complete)	D-169	96889-000
	96890		D-170	96890-000
				 NOTE: Always order by current part number.