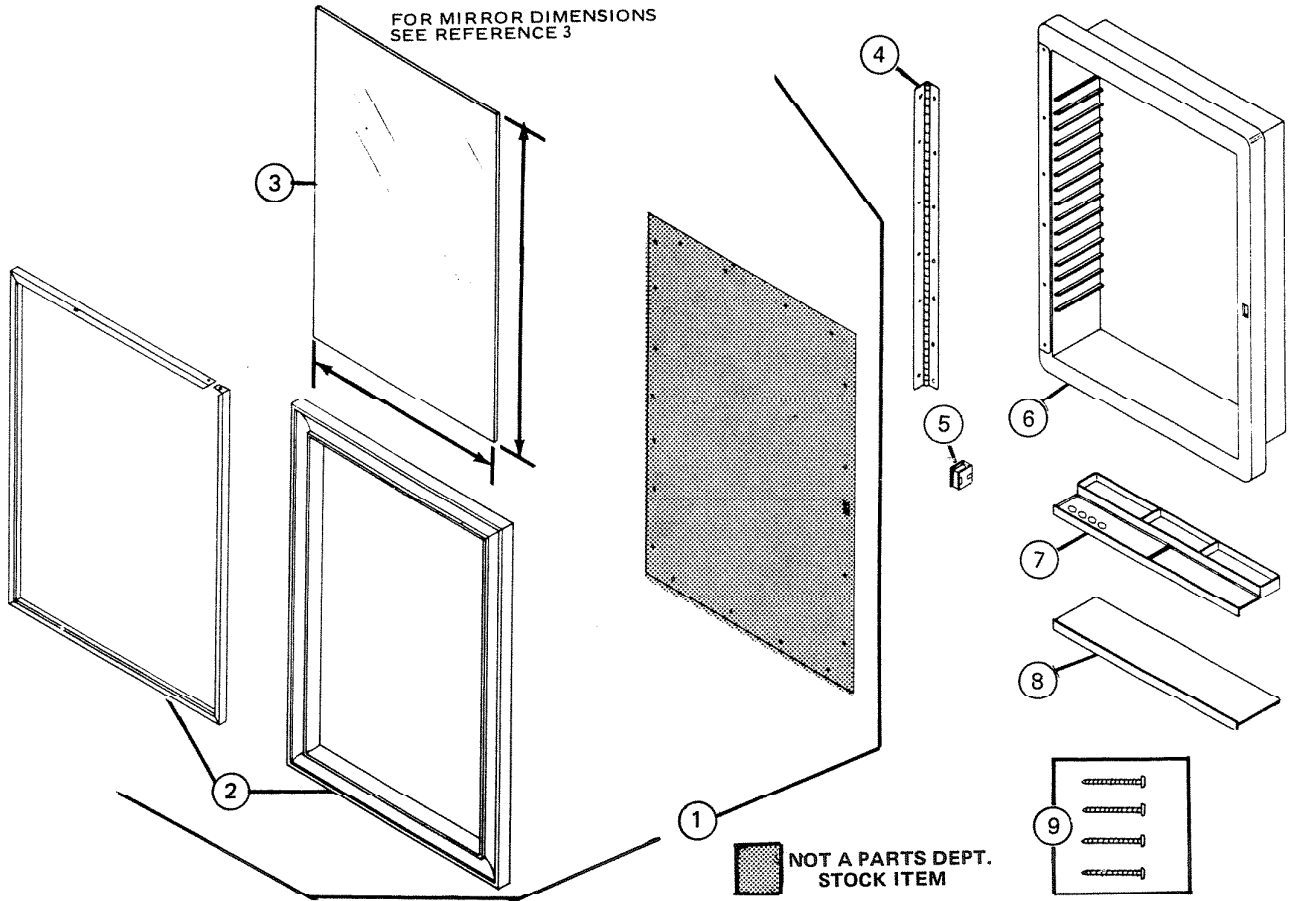


PARTS LIST

EFFECTIVE DATE	MODEL	PRODUCT GROUP
MARCH 1984	D-155 SERIES D,H,WG,W,SS NEW	BATH CABINET



REF.	ORIGINAL PART NO.	* PART DESCRIPTION	MODEL USED ON	CURRENT REPLACEMENT PART NO.	
1	95965	DOOR ASSY LESS HINGE	D-155D	95965-000	
	95966		D-155H	95966-000	
	95967		D-155WG	95967-000	
	95968		D-150W	95968-000	
	95933		D-155SS	95933-000	
2	90111	FRAME ASSY	D-155D	90111-A13	
	90111		D-155H	90111-A10	
	90111		D-155WG	90111-A65	
	90111		D-155W	90111-A05	
	95942		D-155SS	95942-000	
3	94846	MIRROR	14" x 22"	D-155D D-155H D-155WG D-155W	94846-000
	95940		16" x 24"	D-155SS	95940-000

NuTone

(PLEASE SEE OTHER SIDE)

NOTE Always order by current part number

REF.	ORIGINAL PART NO.	PART DESCRIPTION	MODEL USED ON	CURRENT REPLACEMENT PART NO.
4	95970	HINGE	D-155 D,H,WG,W	95970-000
5	6514A	MAGNETIC CATCH	D-155 D,H,WG,W, SS	6514A-000
6	95932	BODY	D-155 D,H,WG,W, SS	95932-000
7	95943	UTILITY SHELF	D-155 D,H,WG,W, SS	95943-000
8	95944	CABINET SHELF	D-155 D,H,WG,W, SS	95944-000
9	95921	INSTALLATION SCREW PACK	D-155 D,H,WG,W, SS	95921-000