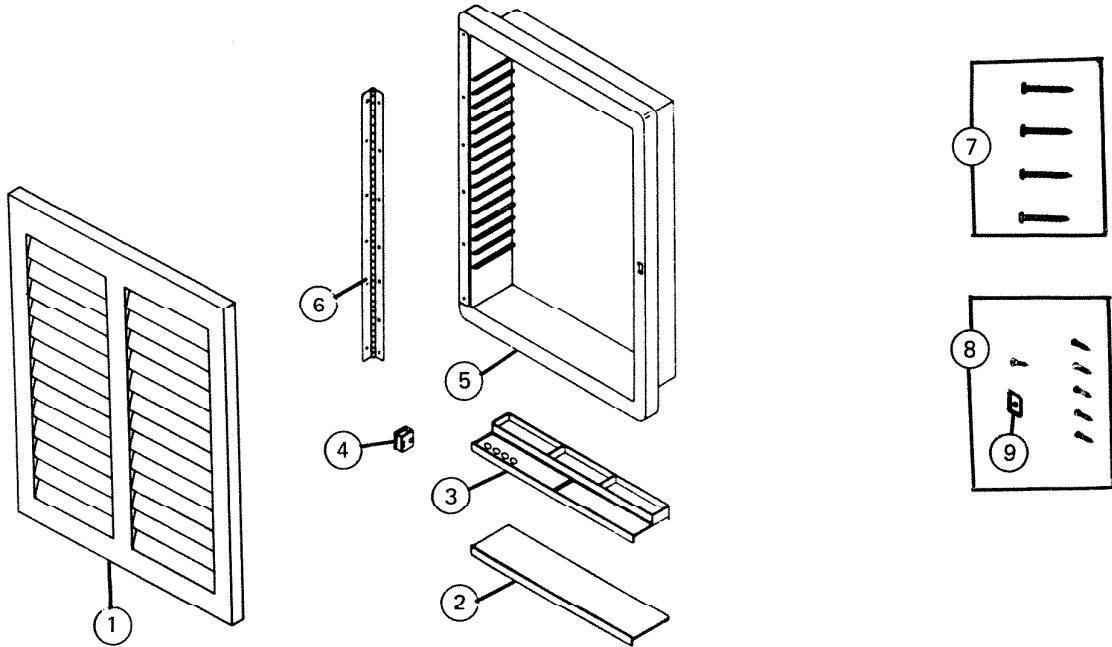


PARTS LIST

EFFECTIVE DATE	MODEL	PRODUCT GROUP
MARCH 1984	D-155LW NEW	BATH CABINET



REF.	ORIGINAL PART NO.	* PART DESCRIPTION	MODEL USED ON	CURRENT REPLACEMENT PART NO.
1	95976	DOOR - LOUVERED WOOD	D-155LW	95976-000
2	95944	CABINET SHELF	D-155LW	95944-000
3	95943	UTILITY SHELF	D-155LW	95943-000
4	6514A	CATCH - MAGNETIC	D-155LW	6514A-000
5	95932	BODY W/MAGNETIC CATCH - PLASTIC	D-155LW	95932-000
6	95970	HINGE	D-155LW	95970-000
7	95921	INSTALLATION SCREW SET	D-155LW	95921-000
8	95977	HARDWARE BAG ASSY	D-155LW	95977-000
9	92150	STRIKE PLATE ONLY	D-155LW	92150-004

NuTone

NOTE: Always order by current part number