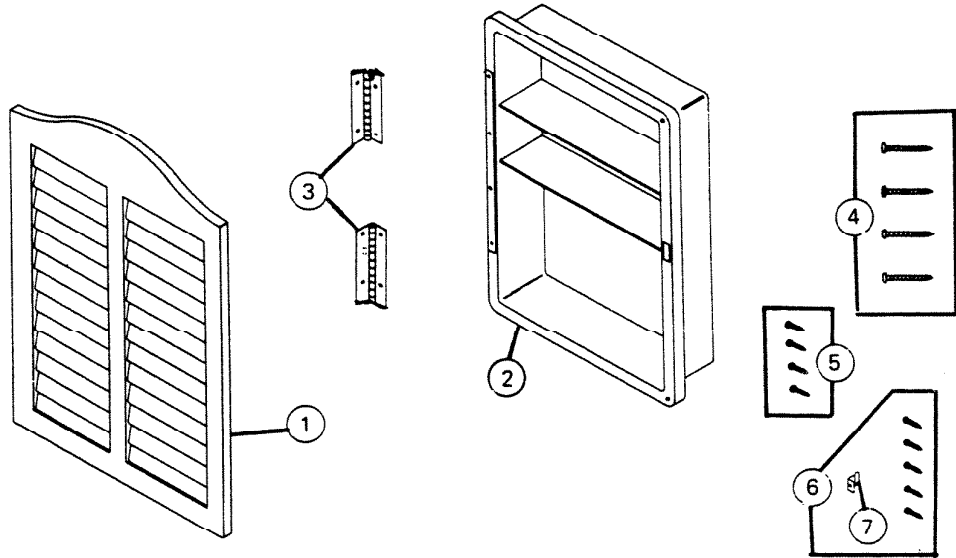


PARTS LIST

| EFFECTIVE DATE | MODEL | PRODUCT GROUP |
|----------------|------------------|---------------|
| MARCH 1984 | D-152 L/W NEW | BATH CABINET |



| REF. | ORIGINAL PART NO. | * PART DESCRIPTION | MODEL USED ON | CURRENT REPLACEMENT PART NO. |
|------|-------------------|-----------------------------|---------------|------------------------------|
| 1 | 96151 | DOOR - LOUVERED WOOD | D-152L/W | 96151-000 |
| 2 | 96145 | BODY - PLASTIC | D-152L/W | 96145-000 |
| 3 | 96144 | HINGE (1) 2 REQUIRED | D-152L/W | 96144-015 |
| 4 | 96146 | INSTALLATION SCREW PACK | D-152L/W | 96146-000 |
| 5 | 0740A | SCREW SET (4) DOOR MOUNTING | D-152L/W | 0740A-000 |
| 6 | 96152 | HARDWARE BAG ASSY | D-152L/W | 96152-000 |
| 7 | 96153 | CATCH ONLY | D-152L/W | 96153-000 |
| | | | | |

NuTone

NOTE: All parts shown are standard parts.