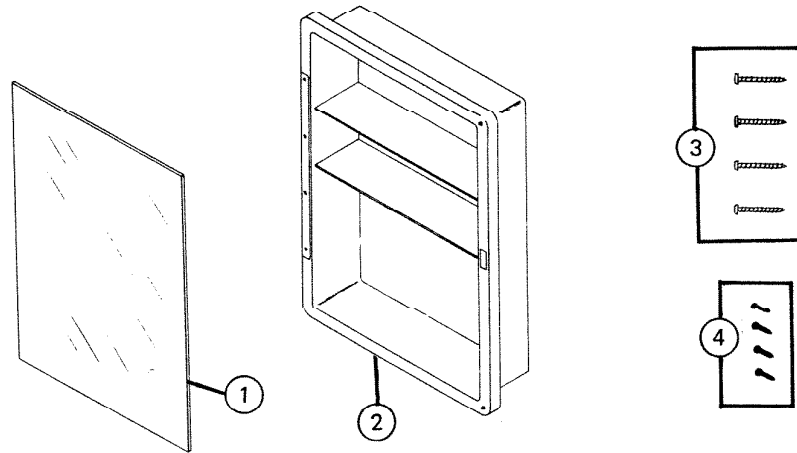


PARTS LIST

| EFFECTIVE DATE | MODEL | PRODUCT GROUP |
|----------------|---------------|---------------|
| MARCH 1984 | D-152P NEW | BATH CABINET |



| REF. | ORIGINAL PART NO. | * PART DESCRIPTION | MODEL USED ON | CURRENT REPLACEMENT PART NO. |
|------|-------------------|-----------------------------|---------------|------------------------------|
| 1 | 96156 | DOOR ASSY COMPLETE | D-152P | 96156-000 |
| 2 | 96145 | BODY | D-152P | 96145-000 |
| 3 | 96146 | INSTALLATION SCREW PACK | D-152P | 96146-000 |
| 4 | 0740A | SCREW SET (4) DOOR MOUNTING | D-152P | 0740A-000 |
| | | | | |

NuTone

NOTE: Always order by current part number.