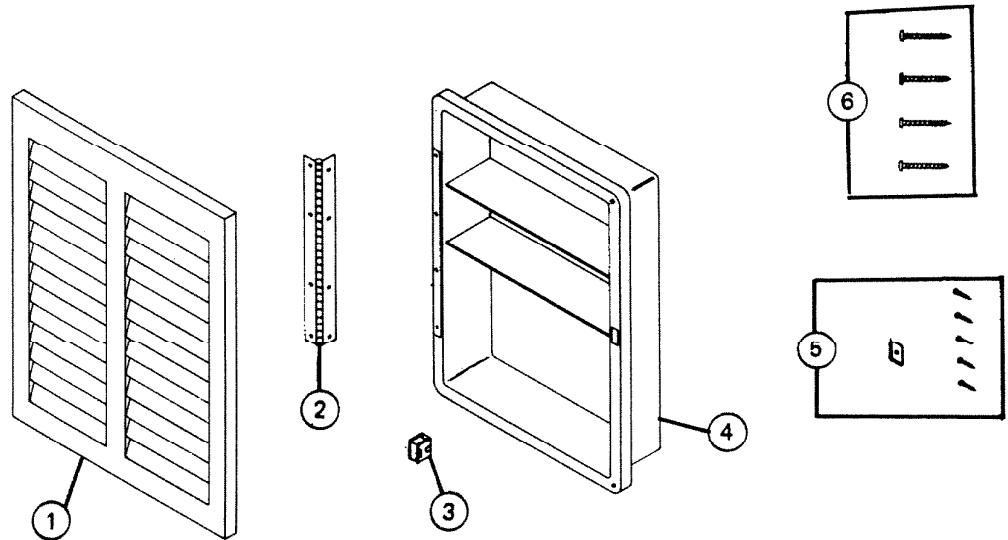


PARTS LIST

| EFFECTIVE DATE | MODEL | PRODUCT GROUP |
|----------------|----------------|---------------|
| MARCH 1984 | D-150LW NEW | BATH CABINET |



| REF. | ORIGINAL PART NO. | * PART DESCRIPTION | MODEL USED ON | CURRENT REPLACEMENT PART NO. |
|------|-------------------|------------------------|---------------|------------------------------|
| 1 | 95926 | DOOR - LOUVERED WOOD | D-150LW | 95926-000 |
| 2 | 95925 | HINGE | D-150LW | 95925-000 |
| 3 | 6514A | MAGNETIC CATCH | D-150LW | 6514A-000 |
| 4 | 95913 | BODY W/MAGNETIC CATCH | D-150LW | 95913-000 |
| 5 | 95927 | DOOR MOUNTING HDWE. | D-150LW | 95927-000 |
| 6 | 95921 | INSTALLATION SCREW PK. | D-150LW | 95921-000 |
| | | | | |

NuTone

NOTE: Always order by current part number.