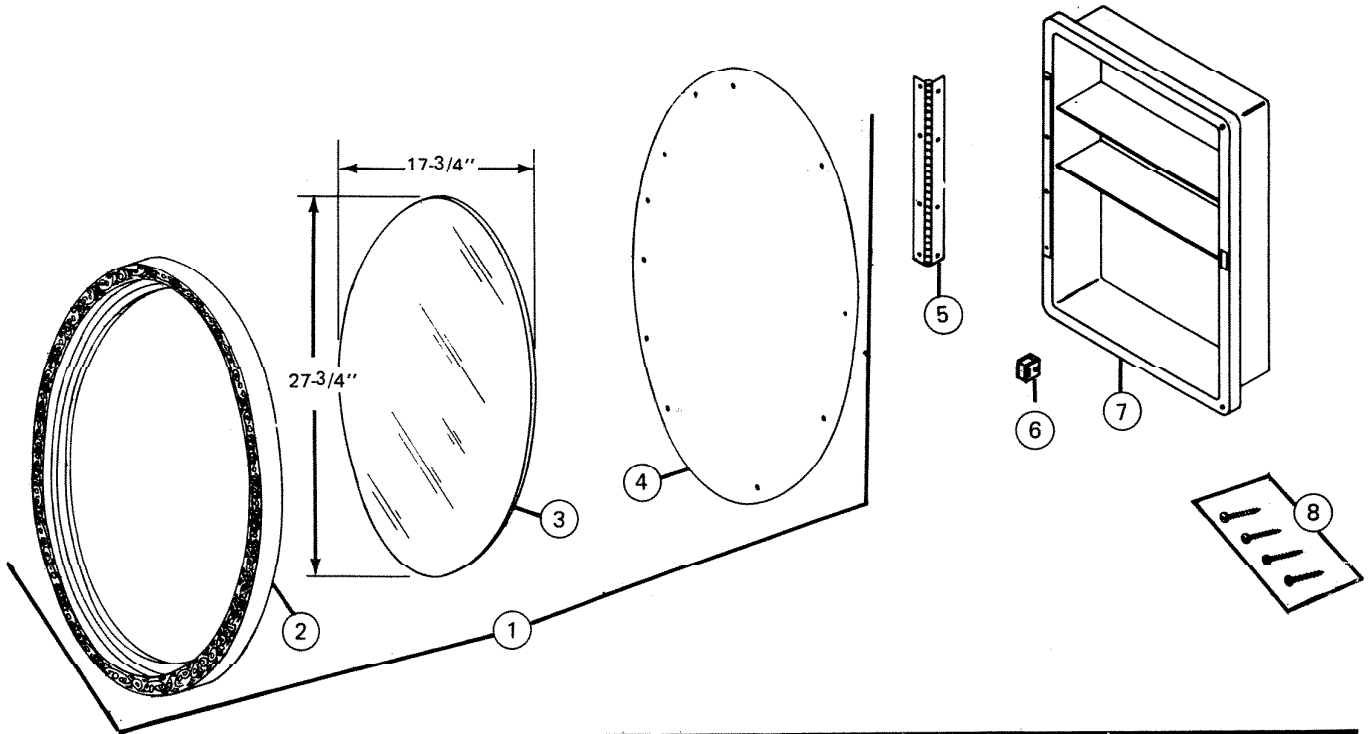


PARTS LIST

EFFECTIVE DATE	MODEL	PRODUCT GROUP
MARCH 1984	D-150-0V NEW	BATH CABINET



REF.	ORIGINAL PART NO.	* PART DESCRIPTION	MODEL USED ON	CURRENT REPLACEMENT PART NO.
1	95984	DOOR ASSEMBLY	D-150-0V	95984-000
2	95985	FRAME	D-150-0V	95985-000
3	95986	MIRROR 17 3/4 X 27 3/4	D-150-0V	95986-000
4	95988	DOOR BACK ONLY — PLASTIC	D-150-0V	95988-000
5	95983	HINGE	D-150-0V	95983-015
6	6514A	MAGNETIC CATCH	D-150-0V	6514A-000
7	95913	BODY W/MAGNETIC CATCH— PLASTIC	D-150-0V	95913-000
8	96040	INSTALLATION SCREW PK.	D-150-0V	96040-000

NuTone

NOTE Always order by current part number.