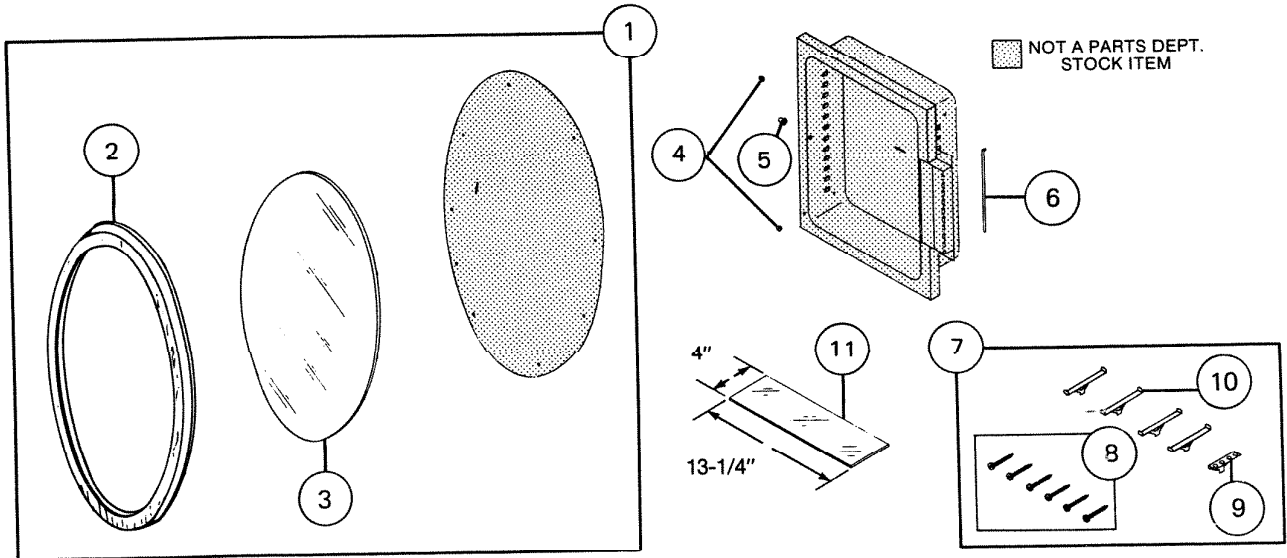


PARTS LIST

EFFECTIVE DATE	MODEL	PRODUCT GROUP
JAN. 1991	D-117, D-118 REVISED D-117N, D-118N D-119 NEW	BATH CABINET



REF.	ORIGINAL PART NO.	* PART DESCRIPTION	MODEL USED ON	CURRENT REPLACEMENT PART NO.	
1	96215	DOOR ASSEMBLY COMPLETE	D-117	96215-000	
	97227		D-117N	97227-000	
	96216		D-118	96216-000	
	97228		D-118N	97228-000	
	99123		D-119	99123-000	
2	96410	FRAME	HONEY OAK	D-117 D-117N	96410-A08
			DARK OAK	D-118 D-118N	96410-A12
			CHERRY	D-119	99124-A56
3	96220	MIRROR ALL	96220-000	
4	90069	BUMPER SET	... MODELS ...	2093A-000	
5	90555	BULLET CATCH		90555-000	
6	90010	HINGE PIN	7 3/4" Long	D-117 D-118	90010-000
	97209		7 7/8" Long	D-117N D-118N D-119	97209-000
7	90141	HARDWARE SET	90141-000	
8	52842	SCREW SET - (6) #8 x 1 1/4" PH. PAN. HD. "A"	69781-000	
9	92264	TOOTHBRUSH HOLDER	ALL	92264-000	
10	90039	SHELF SUPPORT - (1)	MODELS	90039-000	
11	90743	SHELF - 4" x 13 1/4"	ONE	90743-000
	90042		SET OF TWO	90042-000

NOTE: Always order by current part number.