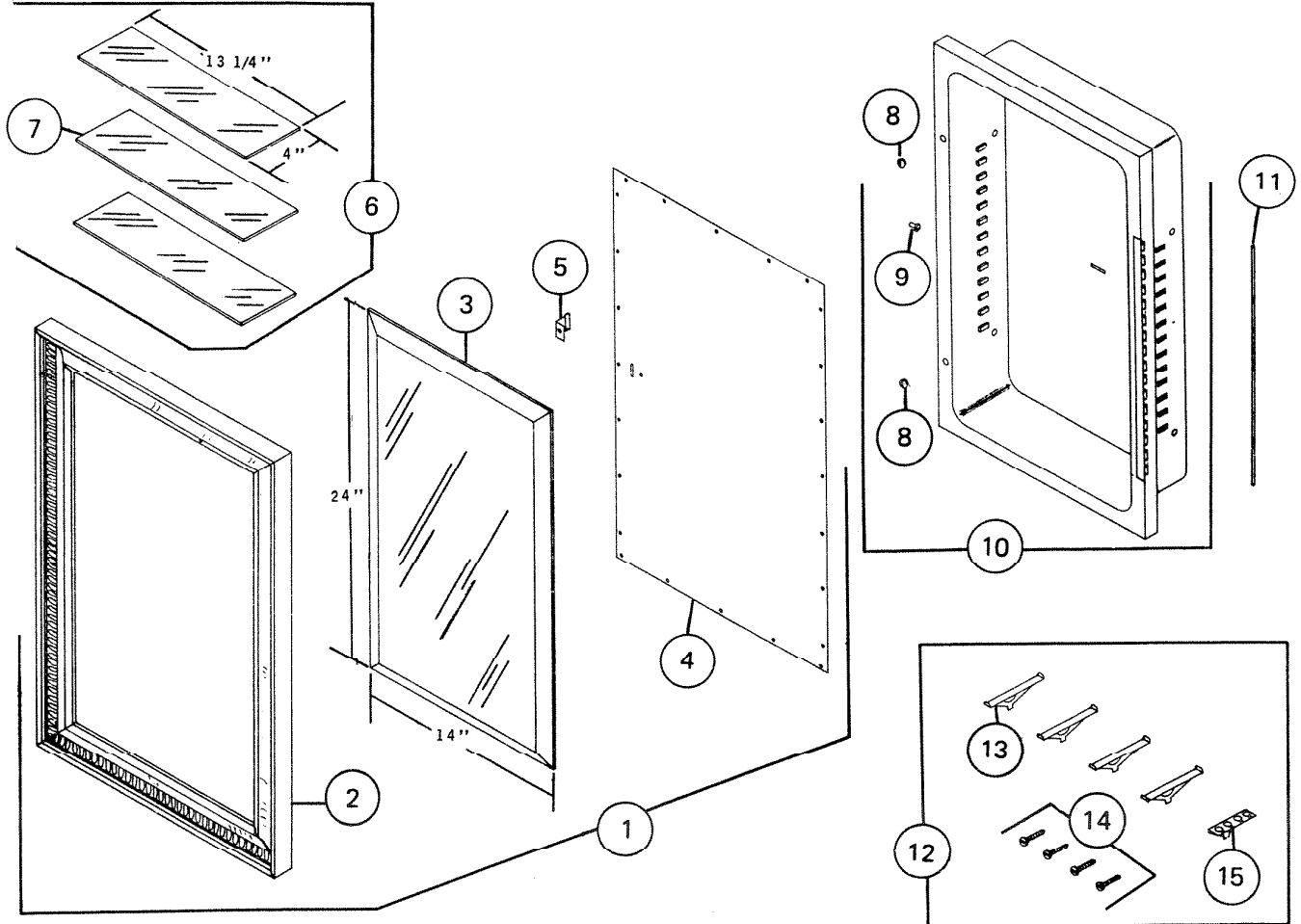


PARTS LIST

EFFECTIVE DATE	MODEL	PRODUCT GROUP
AUGUST 1980	D-109 NEW	BATH CABINETS



REF.	ORIGINAL PART NO.	* PART DESCRIPTION	MODEL USED ON	CURRENT REPLACEMENT PART NO.
1	94816	DOOR ASSEMBLY COMP.	D-109	94816-000
2	94817	FRAME ASSEMBLY	D-109	94817-000
3	94822	MIRROR 14" x 24" BEVELED	D-109	94822-000
4	94033	DOOR AND HINGE ASSEMBLY	D-109	94033-206
5	90067	CATCH DOOR	D-109	90067-000
6	90742	SHELF SET OF 3	D-109	90742-000
7	90743	SHELF ONLY	D-109	90743-000
		(PLEASE SEE OTHER SIDE)		

NuTone Division

NOTE: Always order by current part number.
PL - D-109

REF.	ORIGINAL PART NO.	* PART DESCRIPTION	MODEL USED ON	CURRENT REPLACEMENT PART NO.
8	90069	BUMPER	D-109	2093A-000
9	90555	CATCH BULLET	D-109	90555-000
10	93078	BODY ASSEMBLY	D-109	93078-000
11	90075	PIN HINGE	D-109	90075-000
12	92268	HARDWARE ASSEMBLY	D-109	92268-000
13	90039	SHELF SUPPORT (1) – 6 REQUIRED	D-109	90039-000
14	90040	SCREW SET (6)	D-109	69781-000
15	92264	TOOTHBRUSH HOLDER	D-109	92264-000