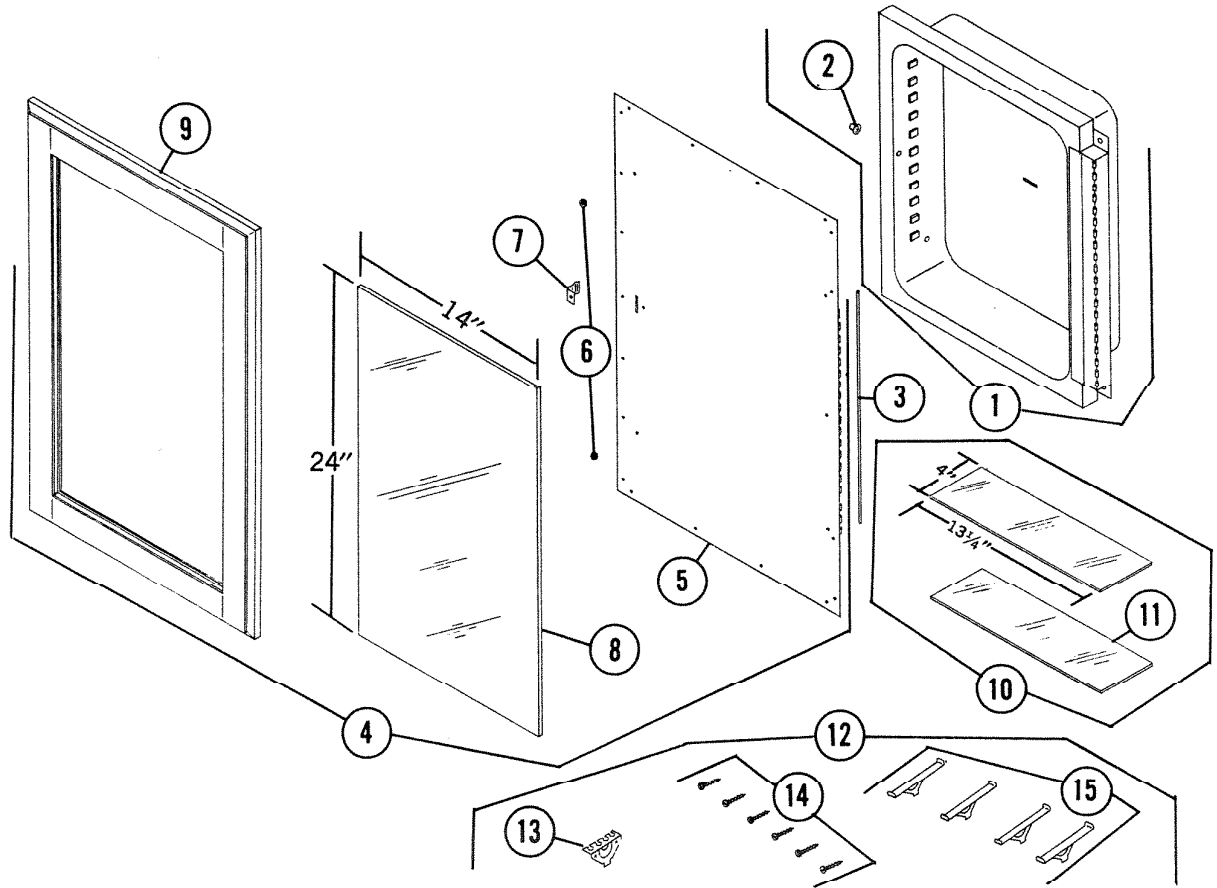


# PARTS LIST

EFFECTIVE DATE	MODEL	PRODUCT GROUP
APRIL 1978	D-103, D-104 NEW	BATH CABINET



REF.	ORIGINAL PART NO.	PART DESCRIPTION	MODEL USED ON	CURRENT REPLACEMENT PART NO.	
1	93943-000	BODY ASSY.	D-103 - D-104	<b>93943-000</b>	
2	90555-000	BULLET CATCH	D-103 - D-104	<b>90555-000</b>	
3	90075-000	HINGE PIN	D-103 - D-104	<b>90075-000</b>	
4	94734-000	DOOR ASSY. COMP.	Walnut	D-103	<b>94734-000</b>
	94735-000		Antique White	D-104	<b>94735-000</b>
5	94026-000	DOOR BACK & HINGE ASSY.	D-103 - D-104	<b>94026-206</b>	
6	90069-000	BUMPER SET	D-103 - D-104	<b>2093A-000</b>	
7	90067-000	DOOR CATCH	D-103 - D-104	<b>90067-000</b>	
8	93058-000	MIRROR Note: May be purchased at local glass shop size 1/4" X 14" X 24" plate	D-103 D-104	<b>93058-000</b>	
9	94678-000	FRAME	Walnut	D-103	<b>94678-A03</b>
	94678-000		Antique White	D-104	<b>94678-A01</b>
10	90042-000	SHELF BUNDLE	D-103 - D-104	<b>90042-000</b>	

NuTone

NOTE: Always order by current part number.

