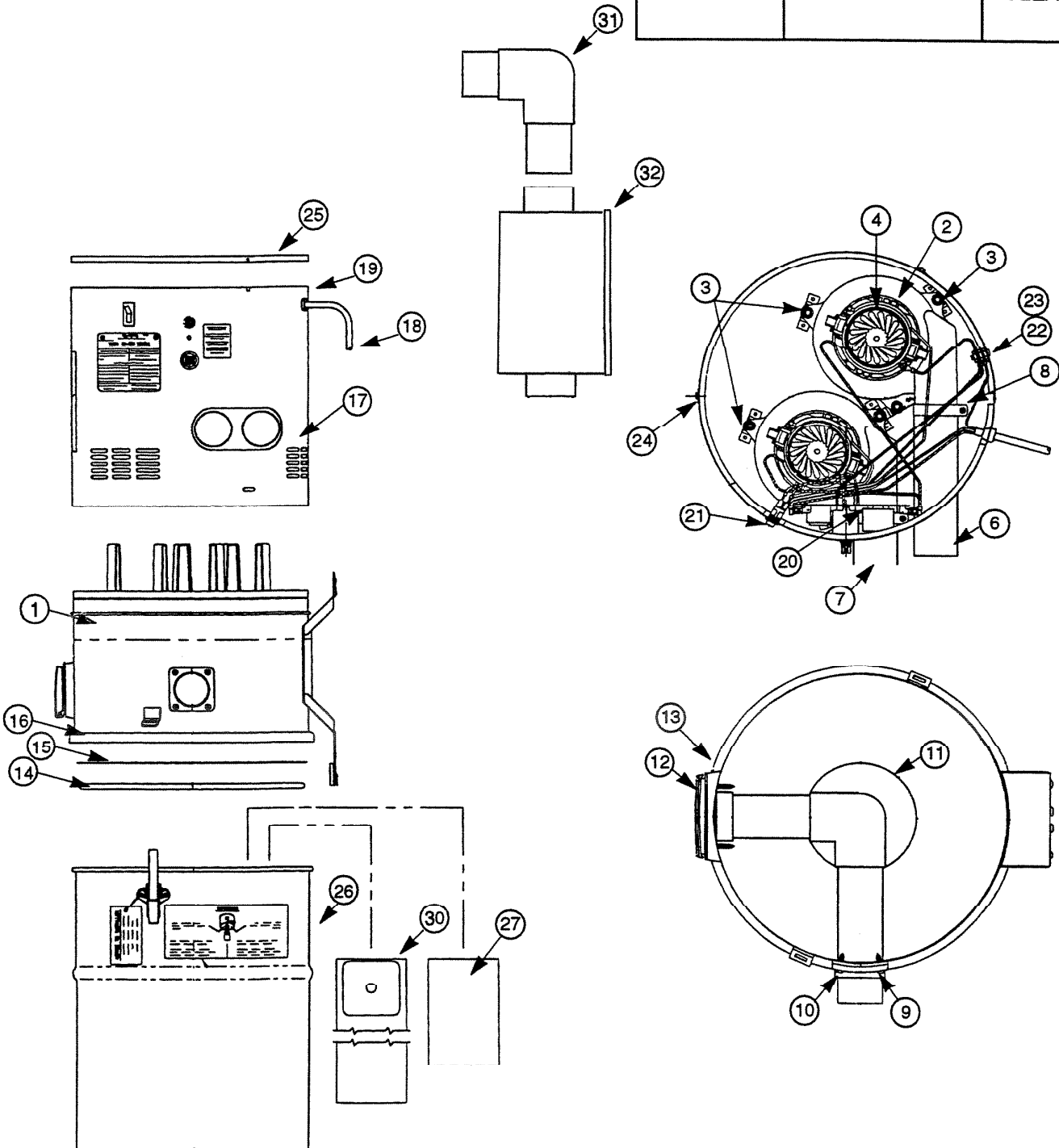


PARTS LIST

EFFECTIVE DATE	MODEL NUMBER	PRODUCT GROUP
JUNE 1998	CV-850	CENTRAL CLEANING



NuTone

NuTone
 Attn: Parts Department
 Madison & Red Bank Rds.
 Cincinnati, OH 45227-1599
 Phone: (513) 527-5426
 Fax: (513) 527-5173

REF	ORIGINAL PART NO.	PART DESCRIPTION	CURRENT REPLACEMENT PART NO.
1	88365	UPPER PAIL & BRACKET ASSY	88356-206
2	88698	MOTOR ASSY (2)	88698-REB
3	52884	SCREW #14 X 1.00	52884-015
4	88291	COOLING VENT TUBE	88291-000
5	30364	MOTOR GASKET (not shown)	30364-000
6	88289	EXHAUST TUBE - LONG	88289-000
7	88290	EXHAUST TUBE - SHORT	88290-000
8	39970	CLAMP - EXHAUST	39970-000
9	33626	MOLDED FLANGE & TUBE ASSY	33626-000
10	52834	SCREW #8 X .75	52834-015
11	33627	TUBE ASSY	33627-000
12	33836	WALLPLATE ASSY	33836-000
13	99030	GASKET	99030-000
14	84129	FILTER	84129-000
15	35853	FILTER SUPPORT	35853-000
16	33846	PAIL GASKET	33846-000
17	88721	WRAP AROUND WITH INSULATION	88721-000
18	88697	CORD SET ASSY	88697-000
19	65495	STRAIN RELIEF	65495-000
20	88500	CONTROL BOARD	62942-000
21	88699	ROCKER - SWITCH	88699-000
22	52833	SCREW #8 X .75	52833-015
23	18028	NUT - #8 - 32	18028-015
24	28031	SCREW #8 X .38	28031-015
25	88723	COVER ASSY - INSULATED	88723-000
26	33632	LOWER PAIL & HASP ASSY	33632-000
27	88370	HARDWARE BAG ASSY	88370-000
28	0679B	BRUSH KIT (not shown)	0679B-000
29	1850A	VALUE SEAL KIT (not shown)	1850A-000
30	391-8	FILTER BAG (8 GALLON) PACK of 3	391-8
31	61361	ELBOW ASSY (FOR MUFFLER)	61361-000
32	392	MUFFLER	392

↑
**NOTE: Always order by
current part number**