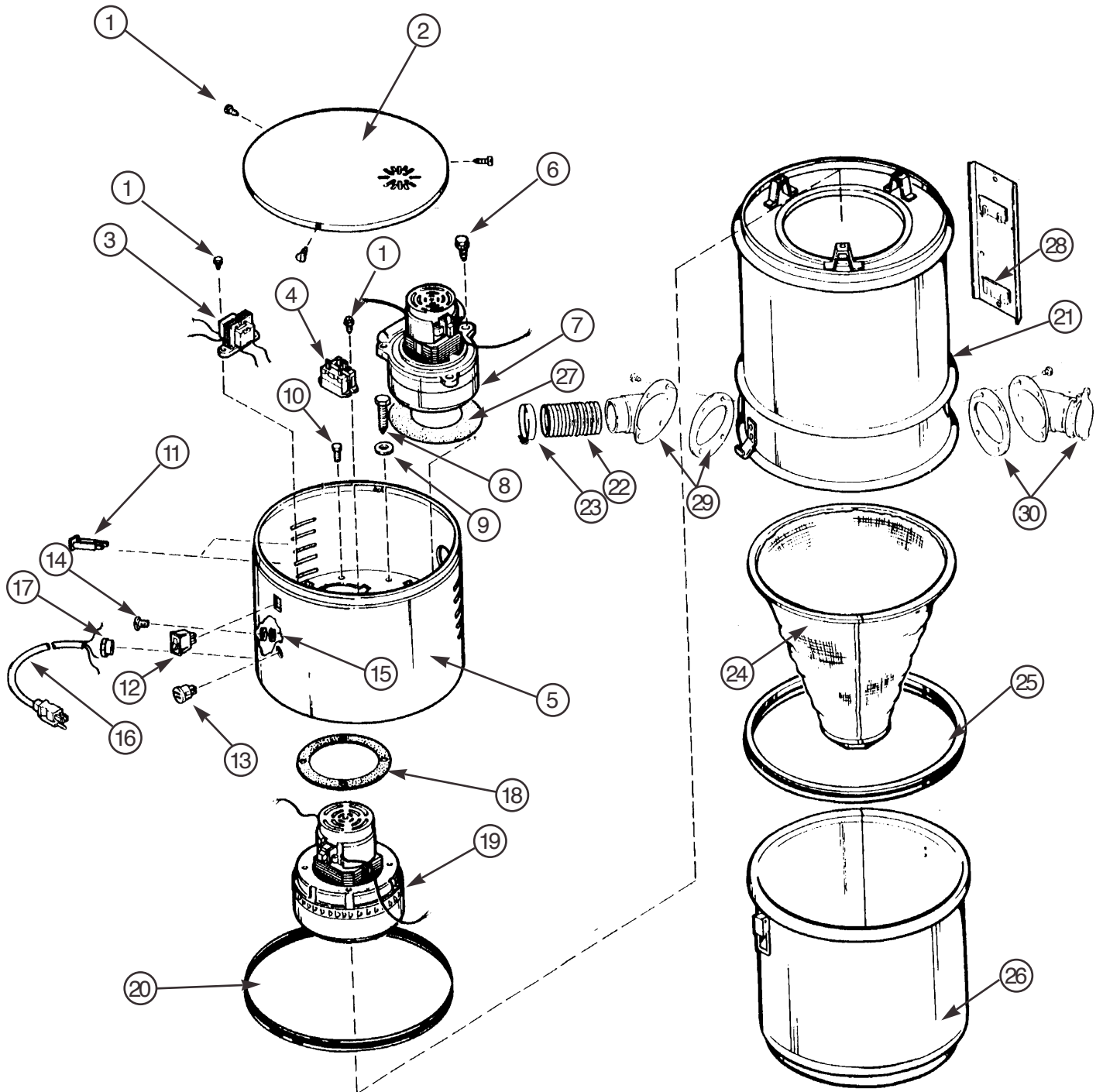


PARTS LIST

EFFECTIVE DATE	MODEL NUMBER	PRODUCT GROUP
REV. FEBRUARY 2002	CV570	CENTRAL CLEANING



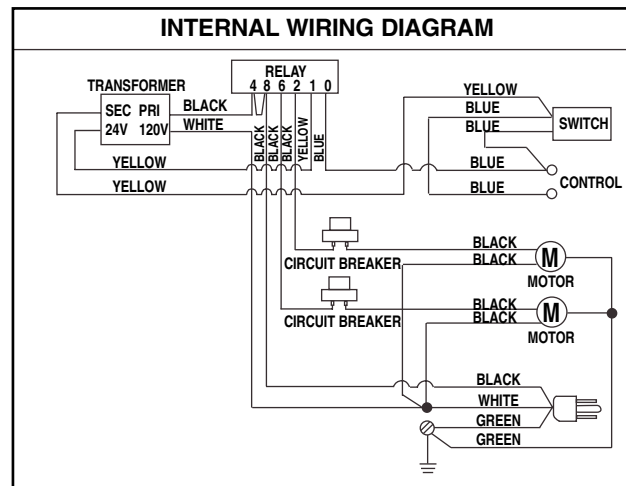
NuTone®

NuTone
Attn: Parts Department
4820 Red Bank Road
Cincinnati, OH 45227-1599

NuTone Canada Inc.
Attn: Parts Department
1140 Tristar Drive
Mississauga, Ontario, Canada L5T 1H9

REF.	ORIGINAL PART NO.	PART DESCRIPTION	CURRENT REPLACEMENT PART NO.																				
1	0631B	SCREW, #8-18 x 3/8 PAN HD. PHILLIPS (7 req)	0631B-007																				
2	0768B	TOP COVER	0768B-000																				
3	0649B	TRANSFORMER	0649B-000																				
4	0648B	RELAY	0648B-000																				
5	0748B	SHROUD	0748B-000																				
6	0759B	SCREW, 1/4-14 x 1 HEX/WASHER HD "AB"	0759B-015																				
7	0757B	MOTOR, TANGENTIAL	0757B-REB																				
8	0747B	SCREW, 5/16-12 x 1 3/4 HEX/WASHER HD "AB"	0747B-000																				
9	0746B	RUBBER WASHER	0746B-000																				
10	0756B	SCREW #10-16 x 1/2 HEX HD SLOTTED	0756B-015																				
11	0752B	CIRCUIT BREAKER	0752B-000																				
12	0662B	SWITCH - ROCKER	0662B-000																				
13	0658B	LOW VOLTAGE BUSHING	0658B-000																				
14	52833	SCREW #8-32 x 1/2 PH RD HD "M"	52833-015																				
15	18028	NUT - KEPS #8-32 (2 req)	18028-015																				
16	0750B	POWER CORD SET	0750B-000																				
17	0751B	STRAIN RELIEF	0751B-000																				
18	0754B	MOTOR GASKET (PERIPHERAL)	0754B-000																				
19	0753B	MOTOR - PERIPHERAL	0753B-REB																				
20	0749B	MOTOR SECTION GASKET	0749B-000																				
21	0742B	VACUUM SECTION ASSEMBLY	0742B-000																				
22	65960	RUBBER CONNECTOR	65960-000																				
23	65959	CLAMP	65959-000																				
24	0774B	FILTER	0774B-000																				
25	0743B	VACUUM SECTION GASKET	0743B-000																				
26	0769B	WASTE CONTAINER & CATCH ASSEMBLY	0769B-000																				
27	0758B	MOTOR GASKET (TANGENTIAL)	0758B-000 </tr <tr> <td>28</td> <td>0645B</td> <td>WALL BRACKET</td> <td>0645B-000</td> </tr> <tr> <td>29</td> <td>0633B</td> <td>INLET ASSEMBLY</td> <td>0633B-000</td> </tr> <tr> <td>30</td> <td>0632B</td> <td>UTILITY INLET ASSEMBLY</td> <td>0632B-000</td> </tr> <tr> <td>31</td> <td>8445A</td> <td>BRUSH SET - TANGENTIAL MOTOR (not shown)</td> <td>8445A-000</td> </tr> <tr> <td>32</td> <td>8445A</td> <td>BRUSH SET - PERIPHERAL MOTOR (not shown)</td> <td>8445A-000</td> </tr>	28	0645B	WALL BRACKET	0645B-000	29	0633B	INLET ASSEMBLY	0633B-000	30	0632B	UTILITY INLET ASSEMBLY	0632B-000	31	8445A	BRUSH SET - TANGENTIAL MOTOR (not shown)	8445A-000	32	8445A	BRUSH SET - PERIPHERAL MOTOR (not shown)	8445A-000
28	0645B	WALL BRACKET	0645B-000																				
29	0633B	INLET ASSEMBLY	0633B-000																				
30	0632B	UTILITY INLET ASSEMBLY	0632B-000																				
31	8445A	BRUSH SET - TANGENTIAL MOTOR (not shown)	8445A-000																				
32	8445A	BRUSH SET - PERIPHERAL MOTOR (not shown)	8445A-000																				

CV570



↑
NOTE: Always order by current part number