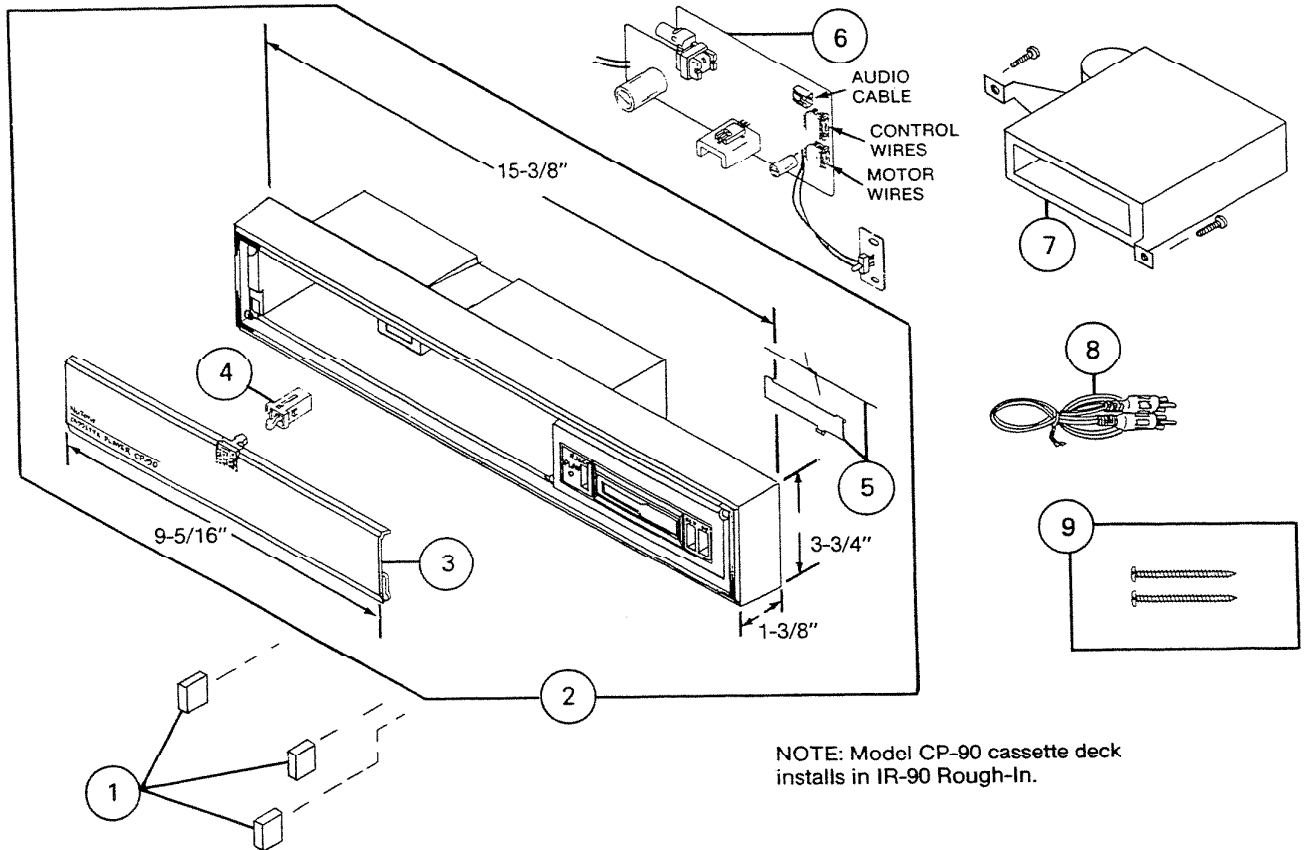


# PARTS LIST

EFFECTIVE DATE	MODEL	PRODUCT GROUP
JAN. 1991	CP-90 NEW	ELECTRONICS



REF. NO.	ORIGINAL PART NO.	*PART DESCRIPTION	CURRENT REPLACEMENT PART NO.
1	1739A	KNOB SET	1739A-000
2	1737A	FRONT PANEL and HOUSING COMPLETE W/DOORS	1737A-000
3	6802A	DOOR - Storage Compartment	6802A-000
4	6806A	DOOR CATCH	6806A-000
5	1736A	CASSETTE DOOR W/SPRING and ROD ASSEMBLY	1736A-000
6	1738A	P.C. BOARD ASSEMBLY W/LED	1738A-000
7	6805A	TAPE PLAYER	6805A-000
8	6812A	AUDIO CABLE - 3 FT.	6812A-000
9	6811A	SCREW PACK (2) #6-18 x 2" LG. PH PAN HD. "A" Black	6811A-000

43469 COMPLETE UNIT

NOTE: Always order by current part number.

**NuTone**

NOTE: Model CP-90 cassette deck installs in IR-90 Rough-In.