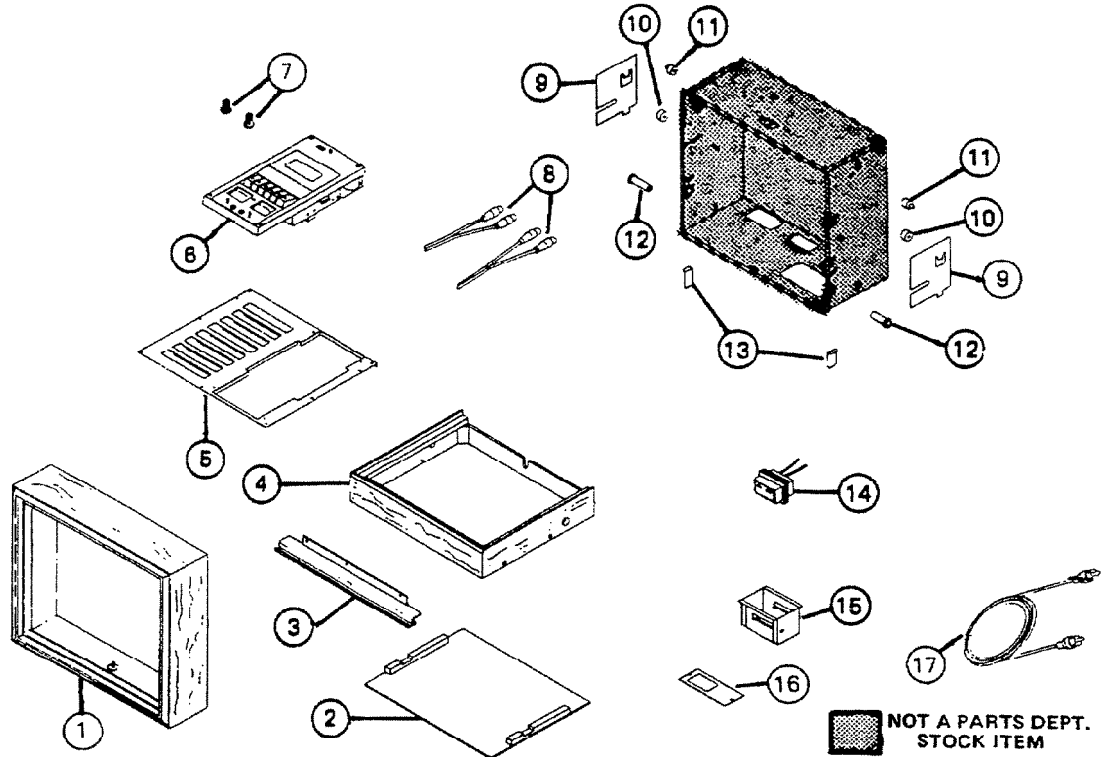


PARTS LIST

EFFECTIVE DATE	MODEL	PRODUCT GROUP
MARCH 1984	CP-82 NEW	ELEC-TRONICS



REF	ORIGINAL PART NO	PART DESCRIPTION	MODEL USED ON	CURRENT REPLACEMENT PART NO
1	41715	FRAME ASSEMBLY	CP-82	41715-000
2	0521A	COVER - BASE	CP-82	0521A-000
3	38921	HANDLE	CP-82	38921-000
4	35356	CASSETTE BASE ASSEMBLY	CP-82	35356-A15
5	35366	CASSETTE MOUNTING BASE	CP-82	35366-254
6	42786	CASSETTE ASSY W/P.C. BOARD	CP-82	42786-000
7	0522A	KNOB (1) 2 REQUIRED	CP-82	0522A-000
8	0523A	PHONO CABLE	RED/BLK	0523A-000
	0524A		WHT/BRN	0524A-000
9	38388	HANGER PLATE	CP-82	38388-005
10	39197	BUMPER (1) 2 REQUIRED	CP-82	39197-000
11	39796	BUMPER (1) 2 REQUIRED	CP-82	39796-000
12	39431	BUSHING (1) 2 REQUIRED	CP-82	39431-000

NuTone

(PLEASE SEE OTHER SIDE)

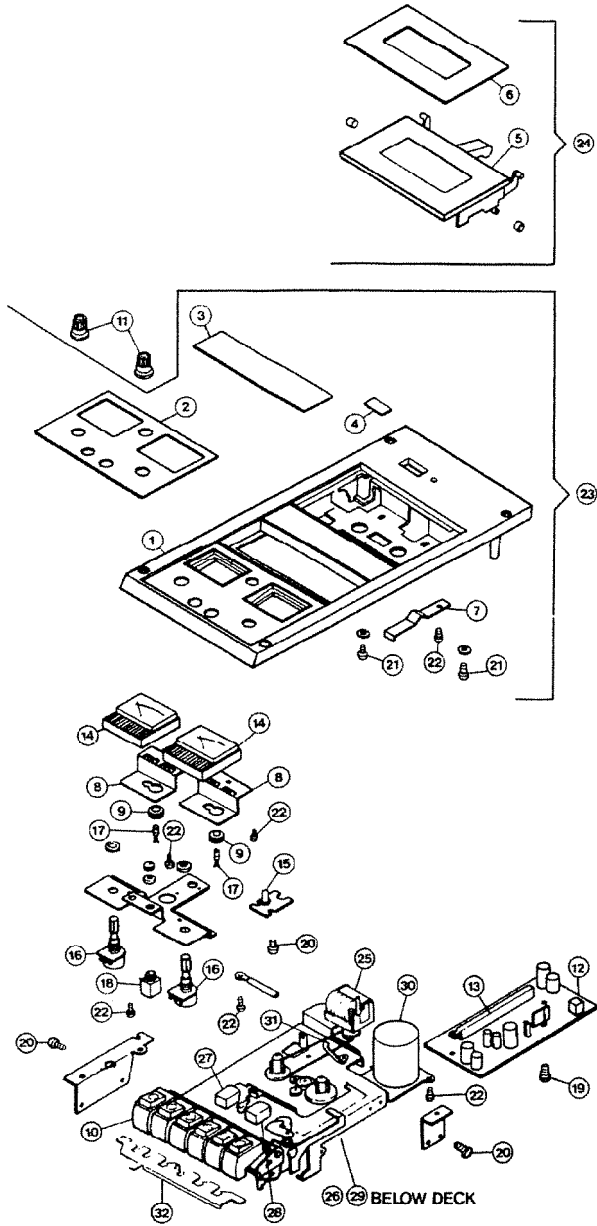
Housing Group **Scovill**

PRINTED IN U.S.A.

NOTE Always order the correct part number

REF	ORIGINAL PART NO	PART DESCRIPTION	MODEL USED ON	CURRENT REPLACEMENT PART NO
13	35371	BUSHING RETAINER (1) 2 REQUIRED	CP-82	35371-000
14	56625	TRANSFORMER ASSEMBLY	CP-82	56625-000
15	35367	HOUSING ASSEMBLY	CP-82	35367-000
16	42788	ENVELOPE ASSY (TRANSFORMER COVER W/ SCREWS)	CP-82	42788-000
17	32776	PHONO CABLE (1) 2 REQUIRED	CP-82	32776-000
		FOR ELECTRONIC PARTS SEE SERVICE MANUAL		

EXPLODED VIEW DRAWING



REPLACEMENT PARTS

Symbol	NuTone Part No.	Description
1	6573A-000	Top Case
2	6574A-000	Control Escutcheon (Large)
3	6575A-000	Control Escutcheon (Small)
4	6576A-000	Mirror
5	6577A-000	Cassette Case
6	6578A-000	Cassette Case Escutcheon
7	6579A-000	Cassette Up Spring
8	6582A-000	Meter Holder
9	6583A-000	Lamp Holder
10	6588A-000	Key Button
11	6589A-000	Volume Knob
12	6590A-000	PC Board Assembly (Main)
13	6593A-000	Slide Switch (S2-1122)
14	6594A-000	Meter
15	6595A-000	L.E.D. (Red)
16	6596A-000	Volume Control (PR-16B30KB50K)
17	6597A-000	Miniature Lamp
18	6598A-000	Mike Jack (MOJ-B6F)
19	6599A-000	PH Machine Screw 3 × 6
20	6600A-000	PH Tap Screw 2.6 × 6
21	6601A-000	PH Machine Screw 3 × 6
22	6602A-000	PH Machine Screw 3 × 8
23	6603A-000	Top Case Assembly
24	6604A-000	Cassette Door Assembly
25	6606A-000	Tape Counter
*	6607A-000	Transistor 2SC536
*	6608A-000	Transistor 2SC1570
*	6609A-000	Transistor 2SC1383
*	6610A-000	Diode 1S-188
*	6611A-000	Trap Coil 153K
*	6612A-000	OSC Coil
*	6613A-000	Plug Cord
26	6614A-000	Drive Belt
27	6615A-000	RP Head
28	6616A-000	Erase Head
29	6617A-000	Flywheel
30	6618A-000	Motor
*	0523A-000	Output Lead Assembly (Red and Black)
*	0524A-000	Output Lead Assembly (White and Brown)
31	0525A-000	Counter Belt
32	6605A-000	Function Plate

*Not shown in Exploded View Drawing.

NuTone

Housing Group

Scovill

Madison & Red Bank Rds.
Cincinnati, Ohio 45227
1-513-527-5414

Part No. FS 1415
Printed in U.S.A. 12/84