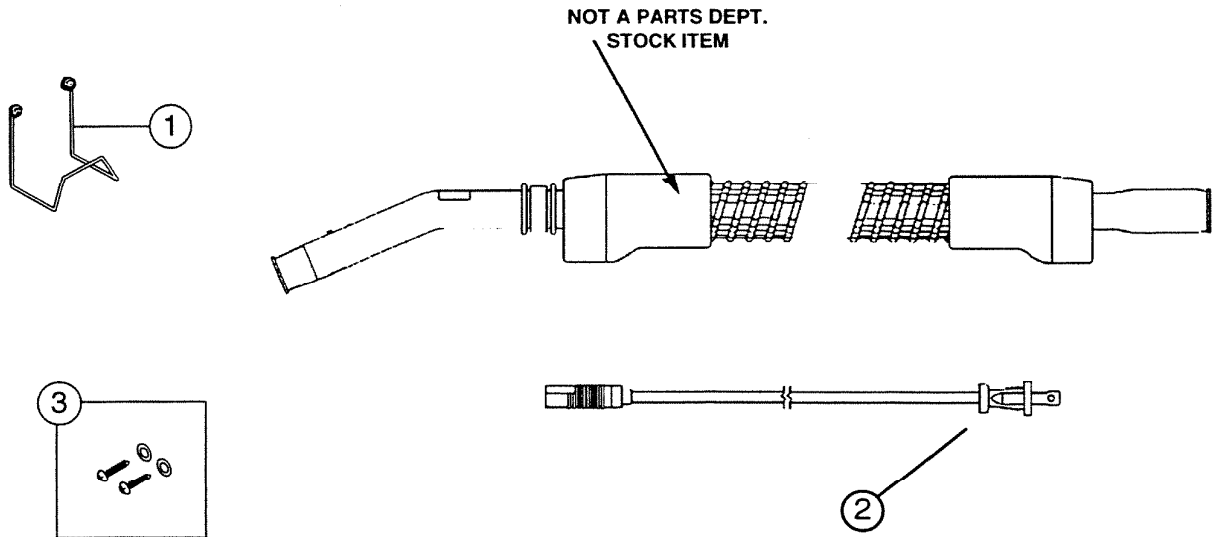


# NuTone PARTS LIST

EFFECTIVE DATE	MODEL NUMBER	PRODUCT GROUP
JUNE 1998	CH310	CENTRAL CLEANING SYSTEM

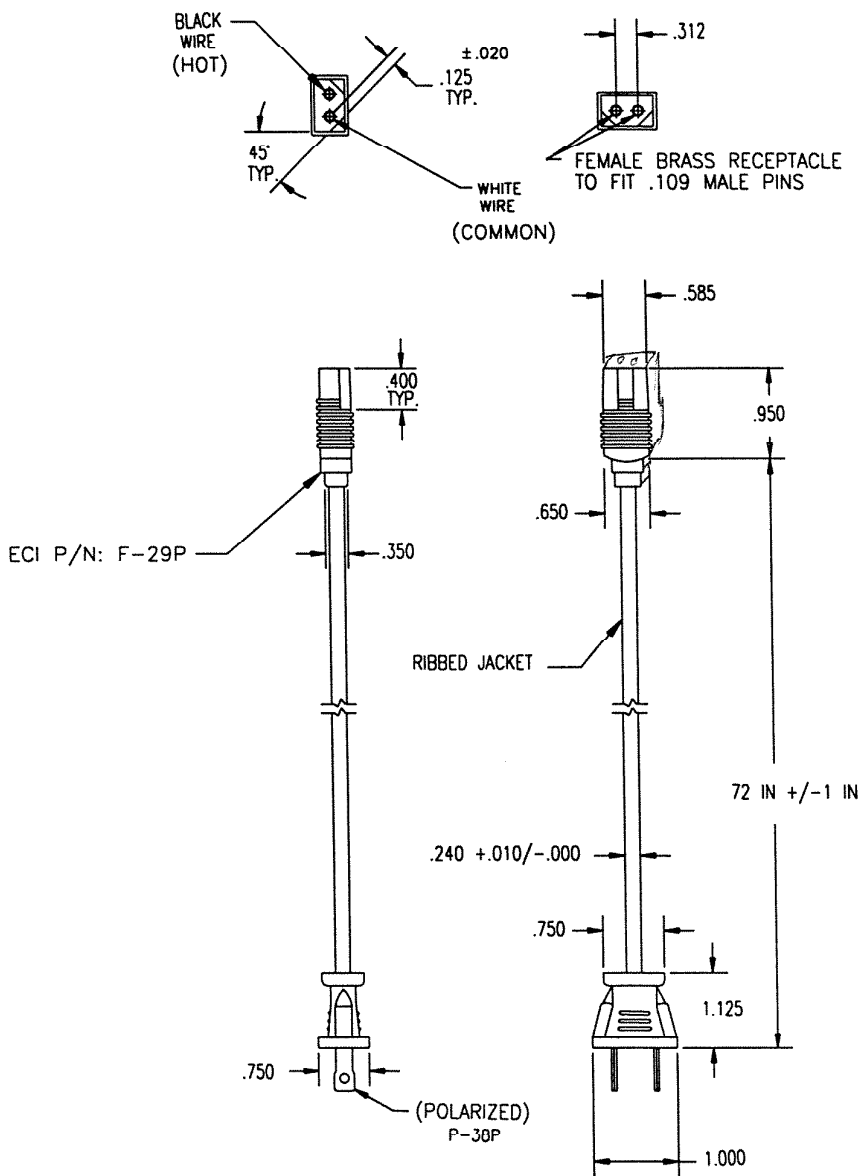


REF.	ORIGINAL PART NO.	PART DESCRIPTION	CURRENT REPLACEMENT PART NO.
1	63238	HOSE RACK	63238-015
2	0253B	CORD SET - M ALE <b>6'</b>	0253B-000
3	52732	HARDWARE PACKAGE	52732-000

↑  
**NOTE: Always order by current part number**

# CH-310 & CH510

PRODUCTION NO.  
B-0253B



CH-310, CH-510