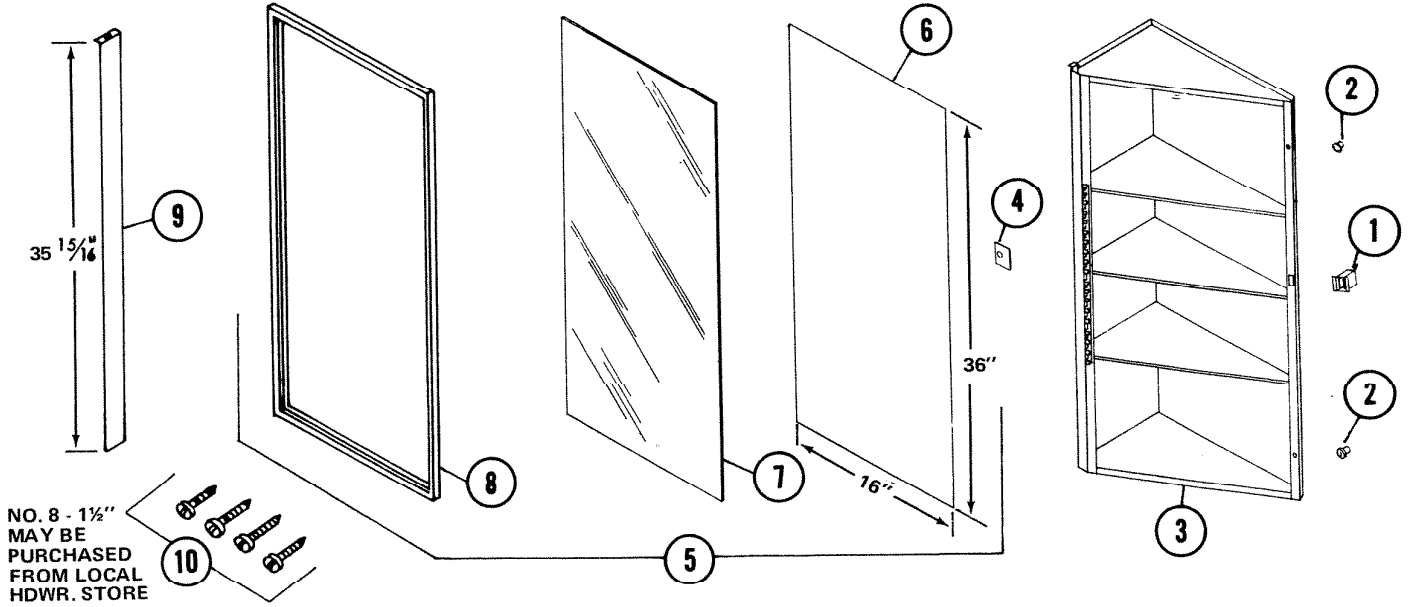


# PARTS LIST

| EFFECTIVE DATE | MODEL                   | PRODUCT GROUP |
|----------------|-------------------------|---------------|
| SEPT. 1977     | CG-36, CS-36<br>REVISED | BATH CABINET  |



| REF. | ORIGINAL PART NO. | * PART DESCRIPTION   | MODEL USED ON | CURRENT REPLACEMENT PART NO. |
|------|-------------------|--|---------------|------------------------------|
| 1    | 90916             | MAGNET CATCH   | CG-36, CS-36  | 90916-000                    |
| 2    | 90069             | RUBBER BUMPER (1) 2 - REQUIRED   | CG-36, CS-36  | 90069-000                    |
| 3    | 93487             | BODY ASSY.   | CG-36, CS-36  | 93487-206                    |
| 4    | 92150             | STRIKER PLATE  | CG-36, CS-36  | 92150-000                    |
| 5    | 93524             | DOOR ASSY.   | CG-36         | 93524-000                    |
|      | 93523             |  | CS-36         | 93523-000                    |
| 6    | 93500             | DOOR BACK & HINGE ASSY.  | CG-36, CS-36  | 93500-206                    |
| 7    | 93504             | MIRROR - 1/4" x 16" x 36" PLATE<br><br><u>NOTE</u><br>MIRROR MAY BE PURCHASED<br>AT LOCAL GLASS SHOP<br><u>SIZE:</u><br>1/4" x 16" x 36" PLATE | CG-36, CS-36  | 93504-000                    |
| 8    | 93510             | FRAME  | CG-36         | 93510-000                    |
|      | 93509             |  | CS-36         | 93509-000                    |
| 9    | 93512             | REFLECTION BARRIER   | CG-36, CS-36  | 93512-206                    |
| 10   | 91294             | HARDWARE SET (6-#8 x 1 1/2" SLT. RD."A")   | CG-36, CS-36  | 91294-000                    |

NuTone

NOTE: Always order by current part number.