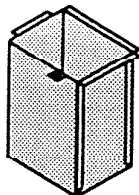
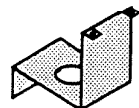
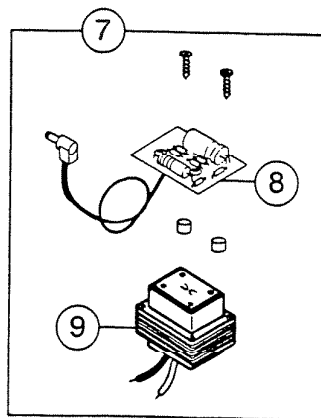
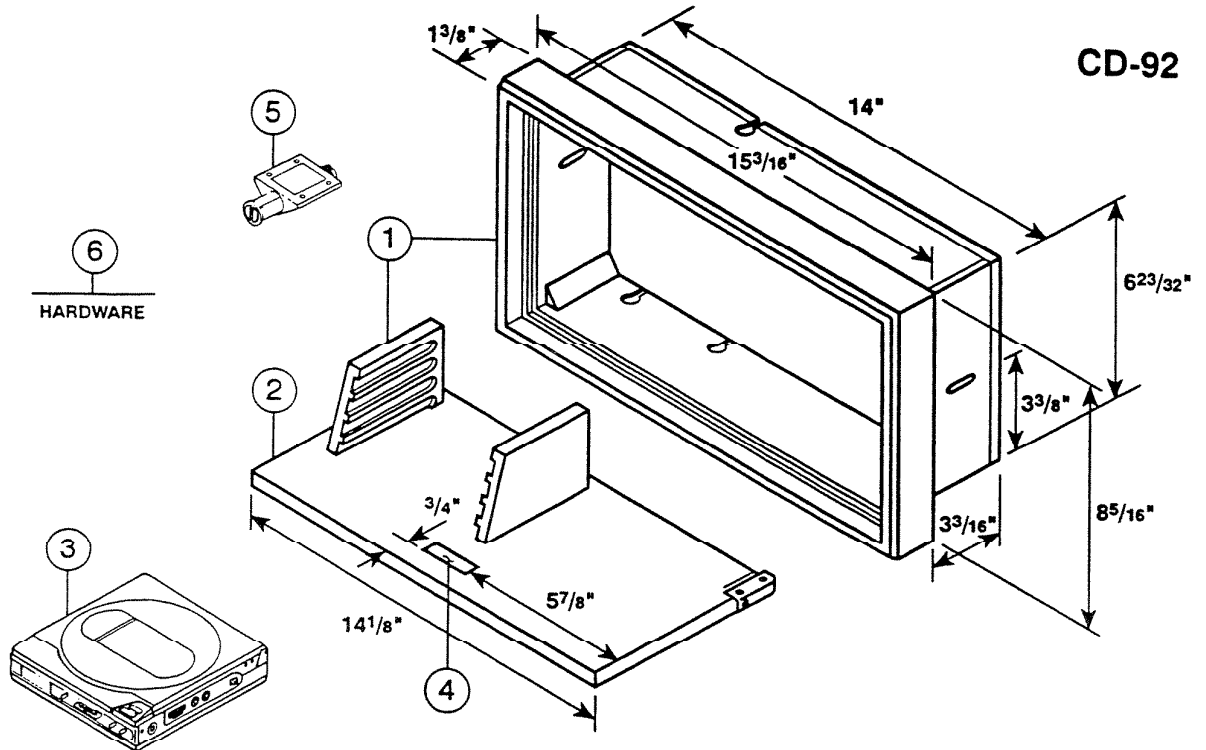


NuTone PARTS LIST

EFFECTIVE DATE	MODEL NUMBER	PRODUCT GROUP
JUNE 1993	CD-92 IR-92 NEW	RADIO INTERCOM

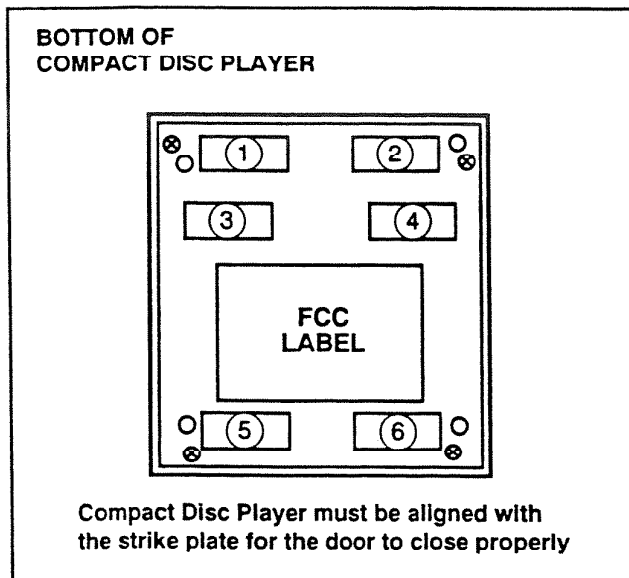


NOT A PARTS DEPT.
STOCK ITEM

REF.	ORIGINAL PART NO.	*PART DESCRIPTION	MODEL USED ON	CURRENT REPLACEMENT PART NO.
1	43819	COMPACT DISC PLAYER COMPARTMENT	CD-92	43819-000
2	1742A	DOOR ASSEMBLY W/Hinges, Stop, Strike Plate	CD-92	1742A-000
3	43814	COMPACT DISC PLAYER (See note*)	CD-92	43814-000
4	9827A	STRIKE PLATE – Latch	CD-92	9827A-000
5	9828A	MAGNETIC LATCH	CD-92	9828A-000
6	43898	HARDWARE BAG ASSEMBLY (See note**)	CD-92	43898-000
7	43829	TRANSFORMER & PC BOARD ASSEMBLY	IR-92	43829-000
8	43830	PC BOARD & TRANSFORMER CABLE ASSEMBLY (Power cable)	IR-92	43830-000
9	33342	TRANSFORMER ASSEMBLY – Model 515T, 10 volt, 5 watt	IR-92	33342-000
10	43834	AUDIO CABLE – 6 ft. (Connection from cassette to intercom)	IR-92	43833-000
*	9286A	STEREO TO STEREO AUDIO CABLE ASSEMBLY – 6 ft. (Not shown)	IR-92	9286A-000

*NOTE: As illustrated, apply the six (6) pieces of adhesive material to the bottom of the Compact Disc Player.

NOTE: Always order by current part number



**NOTE: Hardware Bag Assembly contains:
 (6) Pieces of Adhesive Material
 (2) Screws #6 x 3/4" long PH PAN "A"
 Always order Hardware Bag Assembly when ordering Compact Disc Player