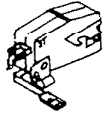

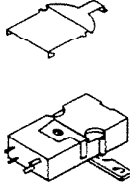
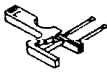
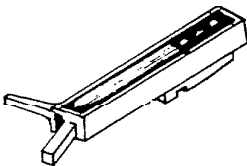

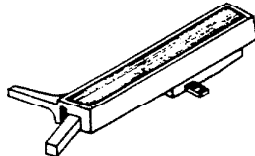


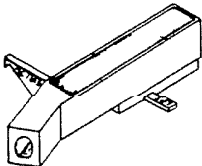

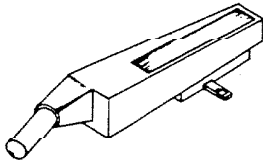



NuTone

Cartridge & Needle Reference Listing

| | |
|---------------------------------------------------------------------------------------------------------------------------------------------------------------------------------------------------------------------------------------------------------------------------------------------------------------------------------------------------------------------------------------------------------------------|------------------------------------------------------------------------------------------------------------------------------------------------------------------------------------------------------------------------------------------------------------------------------------------------------------------------------------------------------------------------------------------------------------------------------------------------------------------------------------------------------|
| <p>MODEL 2400 (V.M.) CARTRIDGE & NEEDLE</p>  <p>CARTRIDGE W/NEEDLE PART NO. 36021-000 REPLACE WITH NO. 31399-000</p> <p>NEEDLE ONLY PART NO. 36020-000. PLEASE PURCHASE LOCALLY SONOTONE NO. N-8TA-SD</p>  | <p>MODEL 2073 & 2200 (V.M.) CARTRIDGE & NEEDLE</p>  <p>CARTRIDGE W/NEEDLE PART NO. 31399-000 REPLACES PART NO. 36021-000.</p> <p>NEEDLE ONLY PART NO. 31398-000.</p>  |
| <p>MODEL 2603 (V.M.) CARTRIDGE & NEEDLE</p>  <p>CARTRIDGE W/NEEDLE PART NO. 60901-000</p> <p>NEEDLE ONLY PART NO. 1526A-000</p>  <p><i>2500 41R-2 T3MD</i></p> | <p>MODEL 2603 (V.M.) CARTRIDGE & NEEDLE</p>  <p>CARTRIDGE W/NEEDLE PART NO. 60914-000</p> <p>CURRENT REPLACEMENT</p>  <p>DIRECT REPLACE- MENT. NEEDLE ONLY. PART NO. 1526A-000</p> <p>EARLY STYLE</p>  |
| <p>MODEL N2603 (B.S.R.), RC-90-1 EARLY VERSION CARTRIDGE & NEEDLE</p>  <p>CARTRIDGE W/NEEDLE PART NO. 5094A-000</p> <p>NEEDLE ONLY PART NO. 5093A-000</p>  | <p>MODEL 2500 (V.M.) CARTRIDGE & NEEDLE</p>  <p>CARTRIDGE W/NEEDLE PART NO. 60812-000</p> <p>NEEDLE ONLY PART NO. 60811-000.</p>  |

NuTone Housing Products

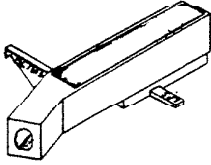
(PLEASE SEE OTHER SIDE)

Scovill

ORDER PARTS FROM:
Parts Department c/o NuTone Electrical, Limited
2 St. Lawrence Ave., Toronto, Ontario, Canada M8Z5T8

Printed in U.S.A. 12/79
Part No. PL-Cartridge-Needle

**MODEL 2500 (B.S.R.)
CARTRIDGE & NEEDLE**

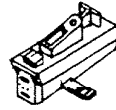


CARTRIDGE W/NEEDLE
PART NO. 5292A-000

NEEDLE ONLY
PART NO.
5093A-000



**MODEL 2500 (B.S.R.)
CARTRIDGE & NEEDLE**

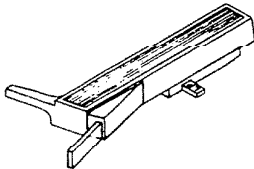


CARTRIDGE W/NEEDLE
PART NO. 5543A-000

NEEDLE ONLY
PART NO.
5093A-000



**MODEL 2500 (V.M.)
CARTRIDGE & NEEDLE**



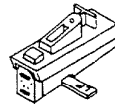
CARTRIDGE W/NEEDLE
PART NO. 61129-000

REPLACE WITH 1108A-000
AND INST. SHEET

NEEDLE ONLY
PART NO. 60811-000



**MODEL RC-90 (B.S.R.)
CARTRIDGE & NEEDLE**

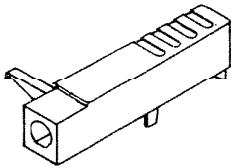


CARTRIDGE W/NEEDLE
PART NO. 5543A-000

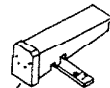
NEEDLE ONLY
PART NO.
5093A-000



RC-91-1
**MODEL RC-91 (B.S.R.)
CARTRIDGE & NEEDLE**



CARTRIDGE W/NEEDLE
PART NO. 1527A-000



NEEDLE ONLY
PART NO.
1526A-000