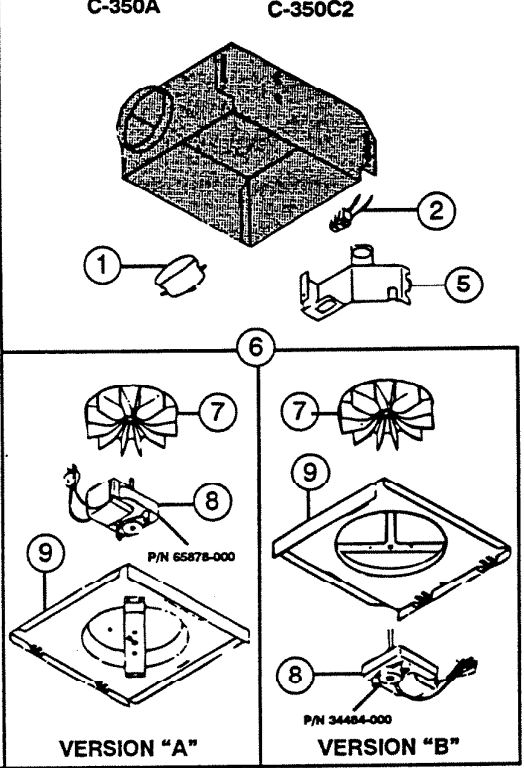
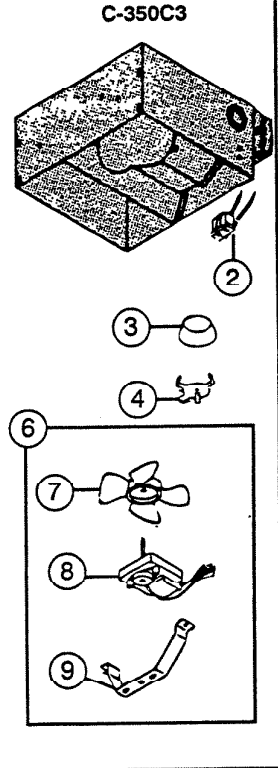
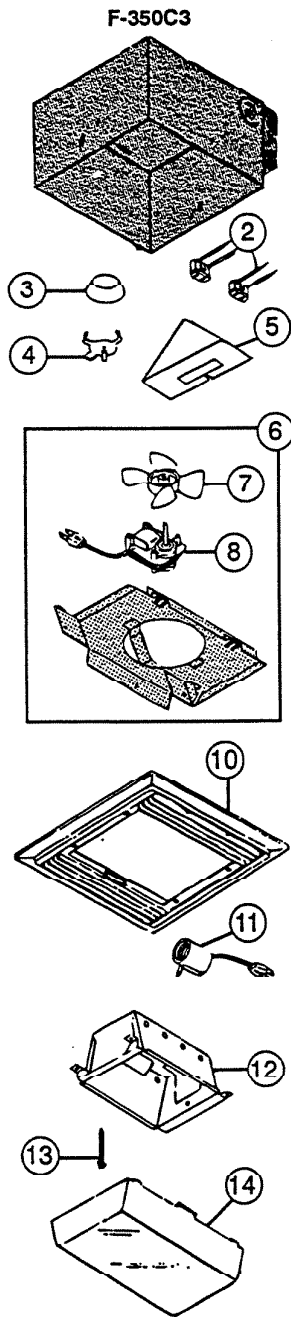
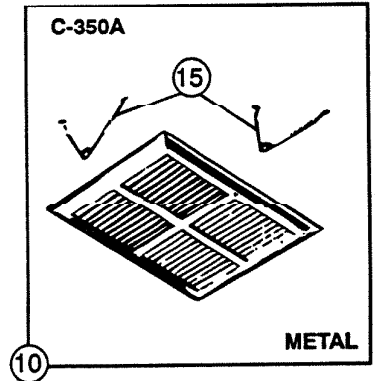
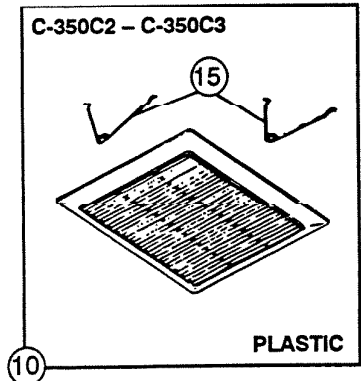


PARTS LIST

EFFECTIVE DATE	MODEL NUMBER	PRODUCT GROUP
JANUARY 1995	C-350A C-350C2 C-350C3 F-350C3 REVISED	FAN



■ NOT A PARTS DEPT. STOCK ITEM



NuTone

NuTone
Attn: Parts Department
Madison & Red Bank Rds.
Cincinnati, OH 45227-1599
Phone: (513) 527-5426
Fax: (513) 527-5173

REF.	ORIGINAL PART NO	*PART DESCRIPTION	MODEL USED ON	CURRENT REPLACEMENT PART NO		
1	29865	LOUVER	C-350A C-350C2	29865-000		
2	10034	RECEPTACLE	All Models	10034-000		
3	57795	ODOR COUNTERACTANT	C-350C3	57795-000		
4	32873	ODORANT CLIP	F-350C3	33513-000		
5	29864	WIRING BOX COVER	C-350A, C-350C2	29864-000		
	32880		F-350C3	VOID-NOT AVAILABLE		
6	34817	POWER UNIT ASSEMBLY	Version "B" Replaces Version "A"	C-350A	34742-000	
	34809			C-350C2		
	32865			C-350C3	VOID-NOT AVAILABLE	
	32859			F-350C3	0452A-000	
7	68920	FAN BLADE — W/PUSHNUT	C-350A C-350C2	68920-000		
	68030		C-350C3 F-350C3	65934-000		
8	65878	MOTOR	Version "A" — Mounting Studs on Back	C-350A C-350C2	65878-000	
	34484		Version "B" — Mounting Studs on Shaft Side	C-350A C-350C2	34484-000	
	68029			C-350C3 F-350C3	68029-000	
9	32860	MOUNTING PLATE MOTOR BRACKET	Version "A"	C-350A C-350C2	VOID-NOT AVAILABLE	
	34487		Version "B"	C-350A C-350C2	34487-000	
	32862			C-350C3	VOID-NOT AVAILABLE	
10	32884	GRILLE	With Springs	Metal	C-350A	32884-000
	53098			Plastic	C-350C2 C-350C3	53098-000
	8256A				F-350C3	53079-000
11	33600	LAMP SOCKET		33600-000		
12	32098	REFLECTOR		33359-000		
13	52862	SCREW—No. 14 - 10 x 1½" (Holds Grille)	F-350C3	52862-015		
14	8257A	LENS		65776-000		
15	56700	SPRING SET — (2)	C-350A C-350C2 C-350C3	0442A-000		

↑

NOTE: Always order by
current part number