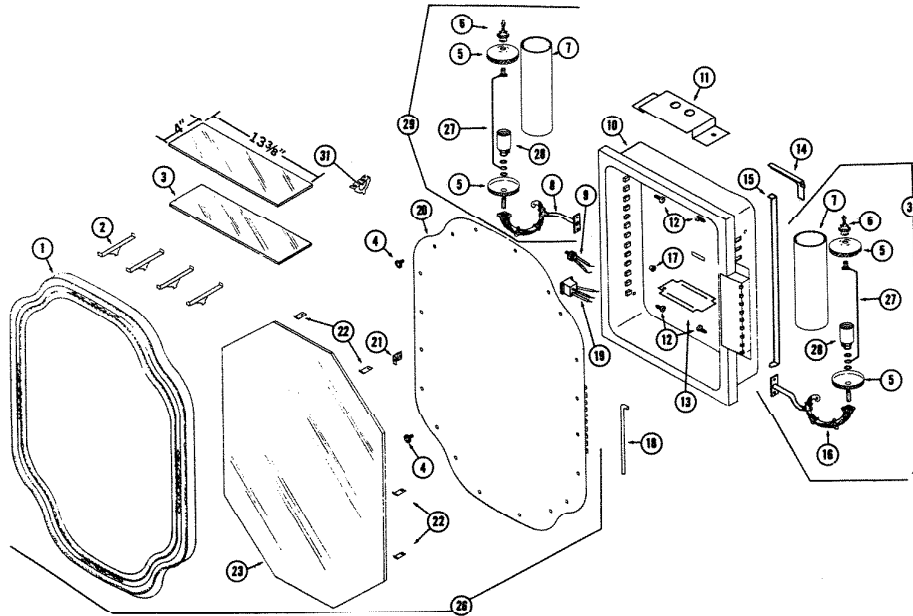


PARTS LIST

MODEL	C-15 - LC-15
EFFECTIVE DATE	AUGUST, 1973



REF	ORIGINAL PART NO.	* PART DESCRIPTION	MODEL USED ON	CURRENT REPLACEMENT PART NO.
1	90152-000	FRAME	C-15 - LC-15	90152-000
2	90039-000	SHELF SUPPORT (ONE) 4 REQUIRED	C-15	90039-000
	69780-000		LC-15	
3	90043-000	SHELF (1)	C-15	90043-000
	92213-000		LC-15	92213-000
4	90069-000	BUMPER 2 REQUIRED	C-15 - LC-15	90069-000
5	92174-000	CUP L.H. or R.H.	LC-15	92174-000
6	92175-000	FINIAL L.H. or R.H.	LC-15	92175-000
7	92172-000	LENS	LC-15	92172-000
8	92169-000	FIXTURE ASSEMBLY L.H.	LC-15	92169-000
9	92205-000	SWITCH - PUSH TYPE	LC-15	92205-000
10	90147-000	BODY ASSEMBLY	C-15	90147-206
	92201-000		LC-15	92201-206
11	93152-000	JUNCTION BOX	LC-15	93152-000
12	90040-000	MOUNTING SEREWS - SET OF 6	C-15 - LC-15	69781-000
13	17379-000	JUNCTION BOX COVER	LC-15	17379-206
14	93150-000	COVER WIRE R.H.	LC-15	93150-000
15	92207-000	COVER - WIRE SIDE R or L	LC-15	92207-000
16	92168-000	FIXTURE ASSEMBLY R.H.	LC-15	92168-000
17	90011-000	CATCH	C-15	90011-000
	90555-000		LC-15	90555-000
18	90010-000	HINGE PIN	C-15 - LC-15	90010-000
19	92206-000	OUTLET - CONVENIENCE	LC-15	92206-000
20	90150-000	DOOR BACK & HINGE ASSEMBLY	C-15	92136-206
	92136-000		LC-15	
21	90033-000	CATCH	C-15	90033-000
	90067-000		LC-15	90067-000
PLEASE SEE OTHER SIDE				

NuTone

Order Parts From:
 Parts Department c/o NuTone
 P.O. Box 27 • Cincinnati, Ohio 45227

NOTE: Always order by current part number.

PL-C15-LC-15

REF.	ORIGINAL PART NO.	* PART DESCRIPTION	MODEL USED ON	CURRENT REPLACEMENT PART NO.
22	90027-000	MIRROR CLIP (1) 4 REQUIRED	C-15 – LC-15	90027-000
23	90153-000	MIRROR 1/4" PLATE	C-15 – LC-15	90153-000
24	93151-000	COVER L.H. (Same as Ref. No. 14 except L.H.) NOT SHOWN	LC-15	93151-000
25	90041-000	MOLLY SCREWS 2 REQUIRED (NOT SHOWN)	LC-15	90041-000
26	90149-000	DOOR ASSY. (Ref. No's 1, 4, 20, 21, 22, & 23)	C-15 – LC-15	90149-000
27	69399-000	WIRE LENS RETAINER	LC-15	69399-000
28	69398-000	LAMP SOCKET	LC-15	69398-000
29	92180-000	LIGHT FIXTURE COMP. L.H. (Ref. No's 5, 6, 7, 16, 27, & 28)	LC-15	92180-000
30	92179-000	LIGHT FIXTURE COMP. R. H.	LC-15	92179-000
31	92264-000	TOOTH BRUSH HOLDER	C-15 – LC-15	92264-000
	92209-000	HARDWARE SET (2 MOLLY SCREWS, 6 MTG. SCREWS, 4 SHELF SUPPORTS & 1 BRUSH HOLDER)	C-15 – LC-15	92209-000