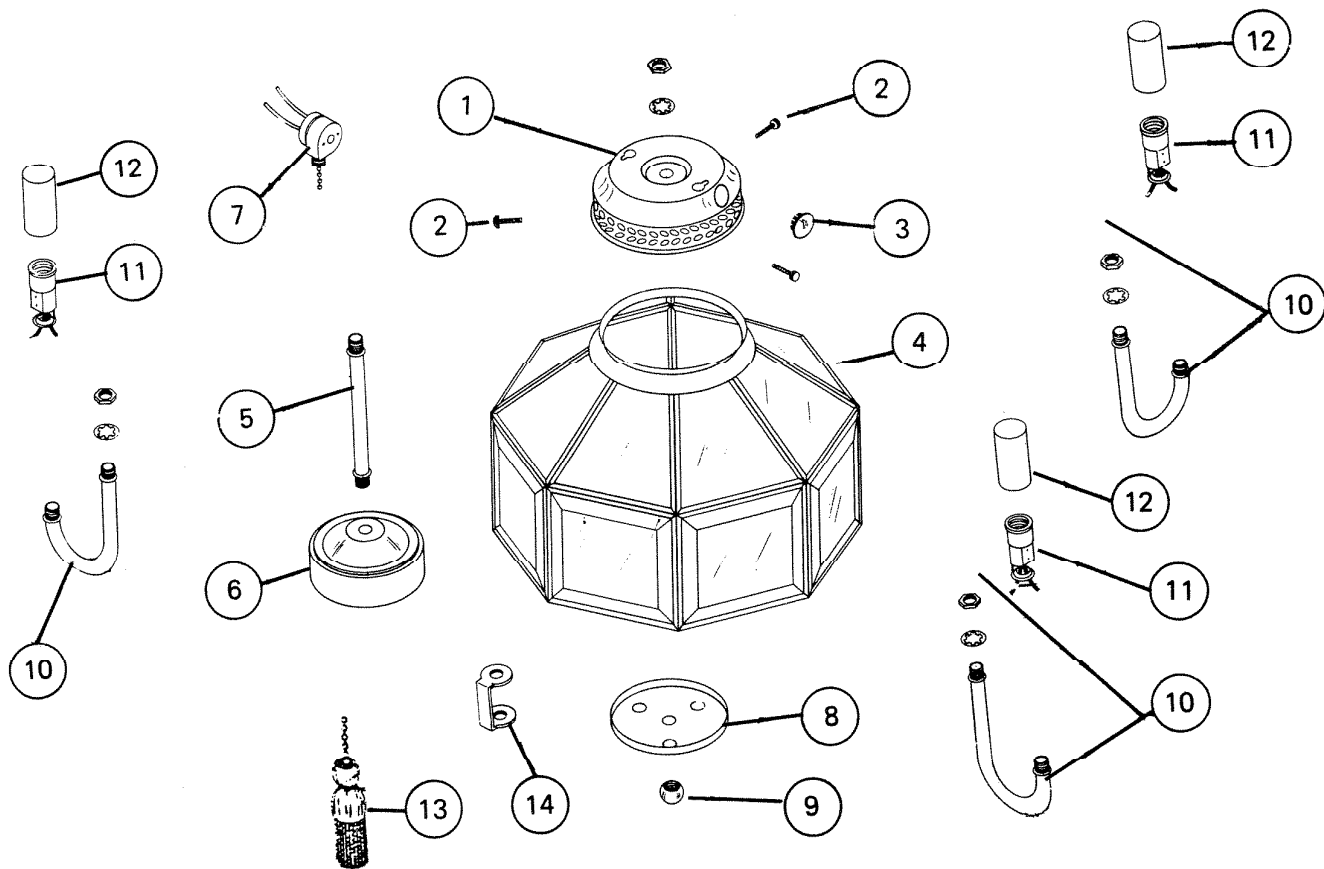


PARTS LIST

EFFECTIVE DATE	MODEL	PRODUCT GROUP
MARCH 1984	BRGLK-3AB NEW BRGLK-3BR REVISED	PADDLE FAN



REF.	ORIGINAL PART NO.	* PART DESCRIPTION	MODEL USED ON	CURRENT REPLACEMENT PART NO.	
1	H0566	LAMPHOLDER	ANTIQUE BRASS	BRGLK-3AB	6515A-HAB
			POL. BRASS	BRGLK-3BR	6515A-HPB
2	1355H	THUMB SCREW SET	BRGLK-3 AB, BR	1364A-000	
3	51912	PLUG BUTTON	ANTIQUE BRASS	BRGLK-3AB	51912-027
			POL. BRASS	BRGLK-3BR	51912-048
4	54726	SHADE-BEVELED GLASS	ANTIQUE BRASS	BRGLK-3AB	54726-HAB
			POL. BRASS	BRGLK-3BR	54726-HPB
(PLEASE SEE OTHER SIDE)					

NuTone

↑

NOTE Always order by current part number.

REF	ORIGINAL PART NO	PART DESCRIPTION		MODEL DESIGNATION	CURRENT REPLACEMENT PART NO
5	54727	HANGER TUBE	ANTIQUE BRASS	BRGLK-3AB	54727-HAB
			POL. BRASS	BRGLK-3BR	54727-HPB
6	54728	BOTTOM HOUSING	ANTIQUE BRASS	BRGLK-3AB	54728-HAB
			POL. BRASS	BRGLK-3BR	54728-HPB
7	H6231	PULL SWITCH		BRGLK-3 AB, BR	56779-000
8	54732	BOTTOM COVER	ANTIQUE BRASS	BRGLK-3AB	54732-HAB
			POL. BRASS	BRGLK-3BR	54732-HPB
9	54730	BALL FINIAL	ANTIQUE BRASS	BRGLK-3AB	54730-HAB
			POL. BRASS	BRGLK-3BR	54730-HPB
10	1376A	ARM ASSEMBLY	ANTIQUE BRASS	BRGLK-3AB	1376A-000
			POL. BRASS	BRGLK-3BR	1376A-000
11	54734	LAMP SOCKET		BRGLK-3 AB, BR	54734-000
12	H0901	CANDLESTICK		BRGLK-3 AB, BR	6524A-000
13	H6219	TASSEL		BRGLK-3 AB, BR	68894-000
14	1359H	MOUNTING HARDWARE		BRGLK-3 AB, BR	1375A-000