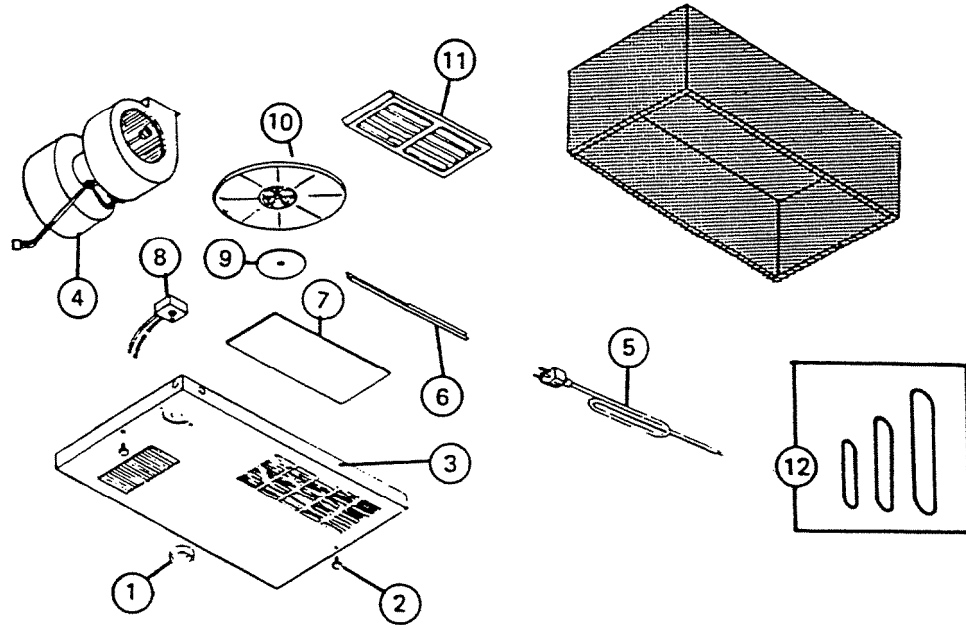


# PARTS LIST

EFFECTIVE DATE	MODEL	PRODUCT GROUP
AUG 1986	AE-70 HEAT EXCHANGER	Air-to-Air Heat Exchanger



REF.	ORIGINAL PART NO.	PART DESCRIPTION	MODEL USED ON	CURRENT REPLACEMENT PART NO.
1	57792	KNOB	AE-70	57792-243
2	7657A	COVER MOUNTING SCREWS	AE-70	7657A-000
3	57792	FRONT COVER	AE-70	57792 000
4	6360A	BLOWER ASSEMBLY	AE-70	6360A-000
5	7656A	POWER CORD	AE-70	7656A-000
6	7652A	CENTRAL DIVIDER W/AIR CURTAIN	AE-70	7652A-000
7	7639A	FOAM FILTER	AE-70	7639A-000
8	7655A	SWITCH	AE-70	7655A-000
9	7651A	HUB CAP	AE-70	7651A-000
10	7650A	HEAT WHEEL	AE-70	7650A-000
11	7567A	FRESH AIR FILTER	AE-70	7567A-000
12	7654A	DRIVE BELT KIT	AE-70	7654A-000
13	7659A	HARDWARE BAG ASSEMBLY	AE-70	7659A-000

NuTone

Housing Group

Scovill

PRINTED IN U.S.A.

NOTE: Always order by current part number.