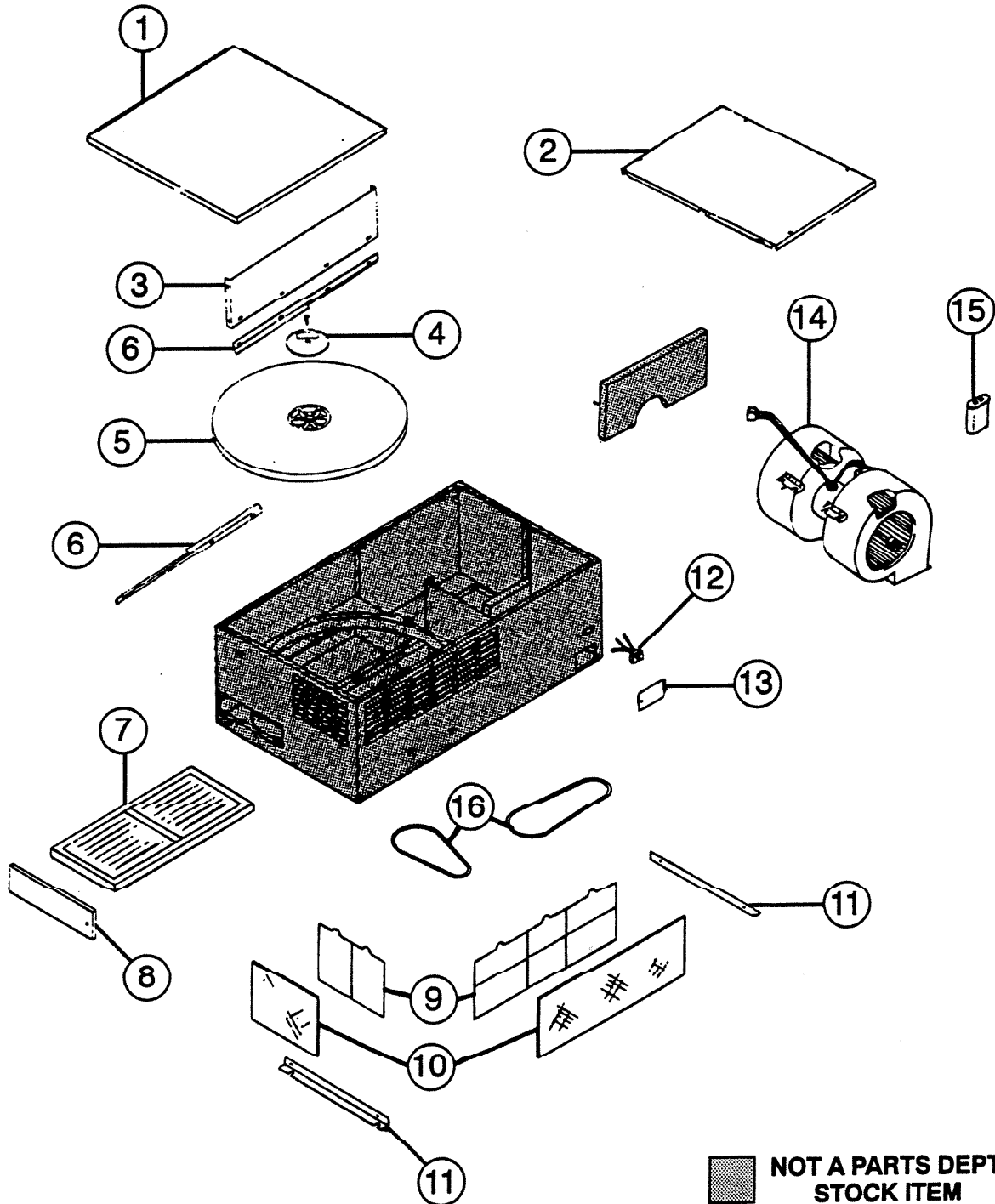


# PARTS LIST

EFFECTIVE DATE	MODEL NUMBER	PRODUCT GROUP
OCTOBER 1994	AE-200 REVISED	EXHAUST FAN



# NuTone

NuTone  
 Attn: Parts Department  
 Madison & Red Bank Rds.  
 Cincinnati, OH 45227-1599  
 Phone: (513) 527-5426  
 Fax: (513) 527-5173

REF.	ORIGINAL PART NO.	*PART DESCRIPTION	MODEL USED ON	CURRENT REPLACEMENT PART NO
1	58179	HEAT WHEEL COVER	AE-200	Void - not avail.
2	58180	BLOWER COVER	AE-200	Void - not avail.
3	58169	CENTER DIVIDER	AE-200	Void - not avail.
4	58168	HUB CAP	AE-200	Void - not avail.
5	58162	HEAT WHEEL	AE-200	Void - not avail.
6	58170	AIR CURTAIN SET	AE-200	58170-000
7	6558A	FRESH AIR FILTER	AE-200	6619A-000
8	58181	FILTER ACCESS PANEL	AE-200	Void - not avail.
9	6628A	ROOM FILTER RETAINER SET - 2	AE-200	Void - not avail.
10	6559A	ROOM AIR FILTER SET - 2	AE-200	6559A-000
11	58176	MOUNTING BRACKET (1) - 2 Required	AE-200	Void - not avail.
12	58182	SWITCH - 3 Position	AE-200	Void - not avail.
13	58183	WIRING COVER	AE-200	Void - not avail.
14	58163	BLOWER ASSEMBLY - Includes Capacitor	AE-200	Void - not avail.
15	58165	CAPACITOR	AE-200	Void - not avail.
16	6560A	DRIVE BELT KIT - 2	AE-200	6560A-000

↑

**NOTE: Always order by current part number**