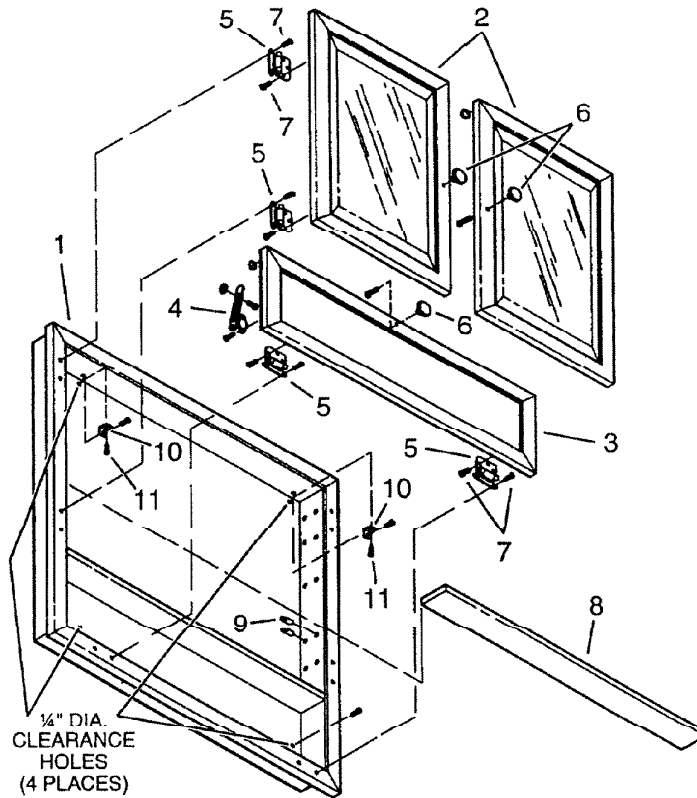


## DROP-DOOR MEDICINE CABINET

Model No.	Finish
9873-A	White
9877-A	Oak



### SERVICE PARTS

KEY NO.	PART NUMBER	DESCRIPTION
1	SA97014480	Body Assembly (Oak)
	SA97014483	Body Assembly (White)
2	SA97014481	Upper Door Assembly (Oak)
	SA97014484	Upper Door Assembly (White)
3	SA97014482	Lower Door Assembly (Oak)
	SA97014485	Lower Door Assembly (White)
4	SA98009151	Lid Support
5	S99680010	Hinge
6	S99360227	Knob
7	S99220301	Hinge Screw
8	SA99320039	Shelf (Oak)
	SA99320040	Shelf (White)
9	SA98009197	Shelf Tab
10	S99420596	Angle Mounting Bracket
11	S7144	Screw, #6 x 3/8"