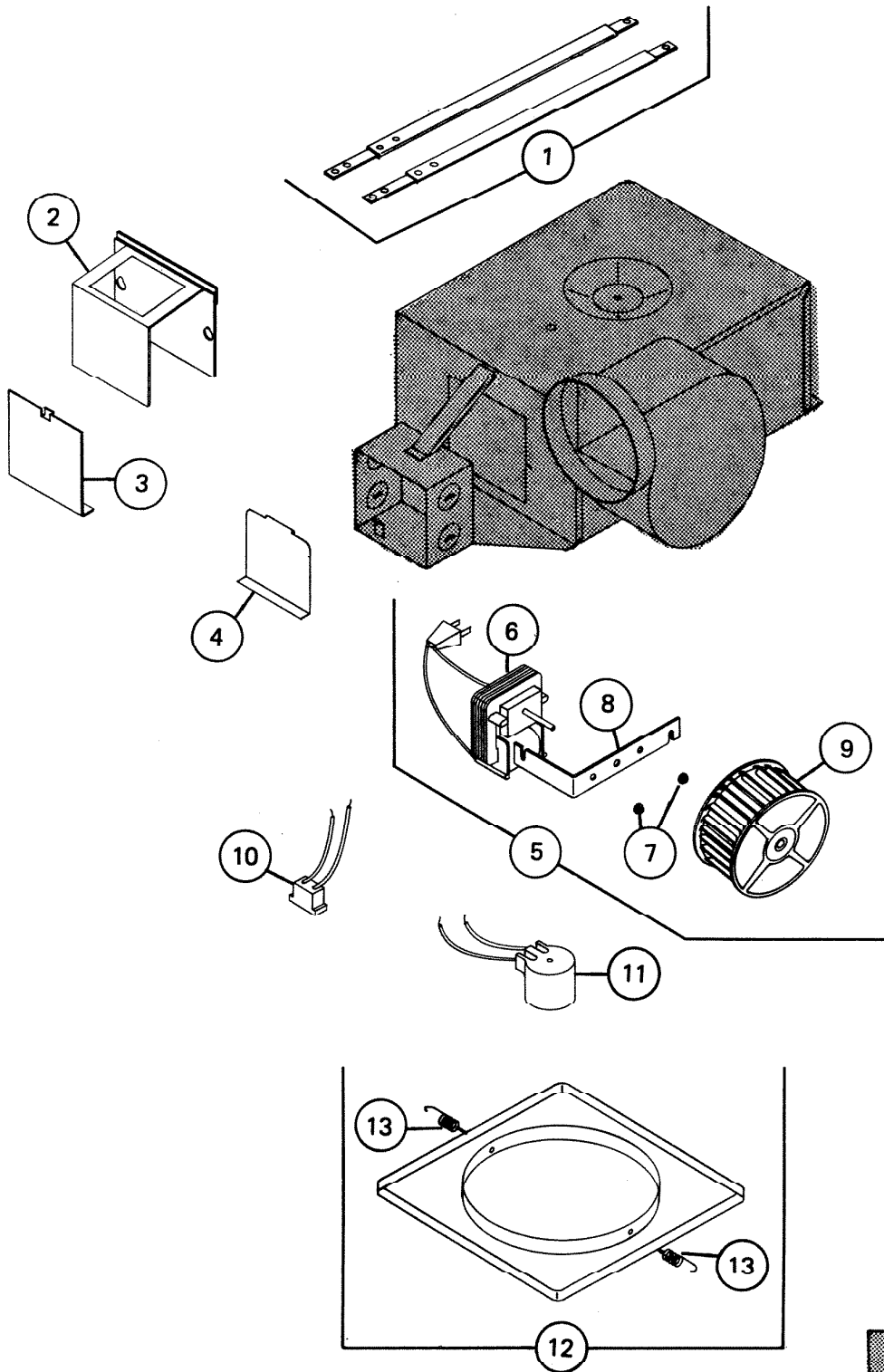


PARTS LIST

EFFECTIVE DATE	MODEL	PRODUCT GROUP
MARCH 1984	9415, 9415N, 9415H, 9415F REVISED	HEATERS



 NOT A PARTS DEPT. STOCK ITEM

NuTone Division

(PLEASE SEE OTHER SIDE)

REF	ORIGINAL PART NO	PART DESCRIPTION	REPLACEMENT PART NO	REPLACEMENT PART NO
1	13306	HANGER ROD ASSEMBLY	9415,9415N, 9415H,9415F	13306-000
2	17160	INSPECTION COVER ASSEMBLY	9415,9415N 9415H,9415F	17160-000
3	17150	OUTLET BOX COVER	9415,9415N, 9415H,9415F	17150-000
4	11394	LOUVER ASSEMBLY	9415,9415N, 9415H,9415F	11394-000
5	23363	POWER UNIT ASSEMBLY	9415 9415N 9415H 9415F	68626-000
	64616			
	65468			
	68626			
6	23323	MOTOR	9415 9415N	68626-000
	64619			9415H 9415F
	67228			
	68627			
7	63674	GROMMET SET - 2 GROMMETS 2 EYELETS	9415,9415N, 9415H,9415F	69289-000
8	64622	MOTOR MOUNTING BRACKET	9415,9415N, 9415H,9415F	64622-000
9	22892	BLOWER WHEEL	9415	22892-000
	64623		9415N	VOID-NOT * AVAILABLE
	65467		9415H,9415F	65467-000
10	21032	RECEPTACLE	9415,9415N, 9415H,9415F	21032-000
11	23372 66202	LAMP SOCKET	9415,9415N, 9415H,9415F	66202-000
12	23354	GRILLE W/SPRINGS	9415,9415N, 9415H,9415F	69281-000
13	17153	SPRING SET - 2	9415,9415N, 9415H,9415F	1104A-000
		*PLEASE NOTE: COMPLETE POWER UNIT CAN BE SUBSTITUTED FOR 9415N.		