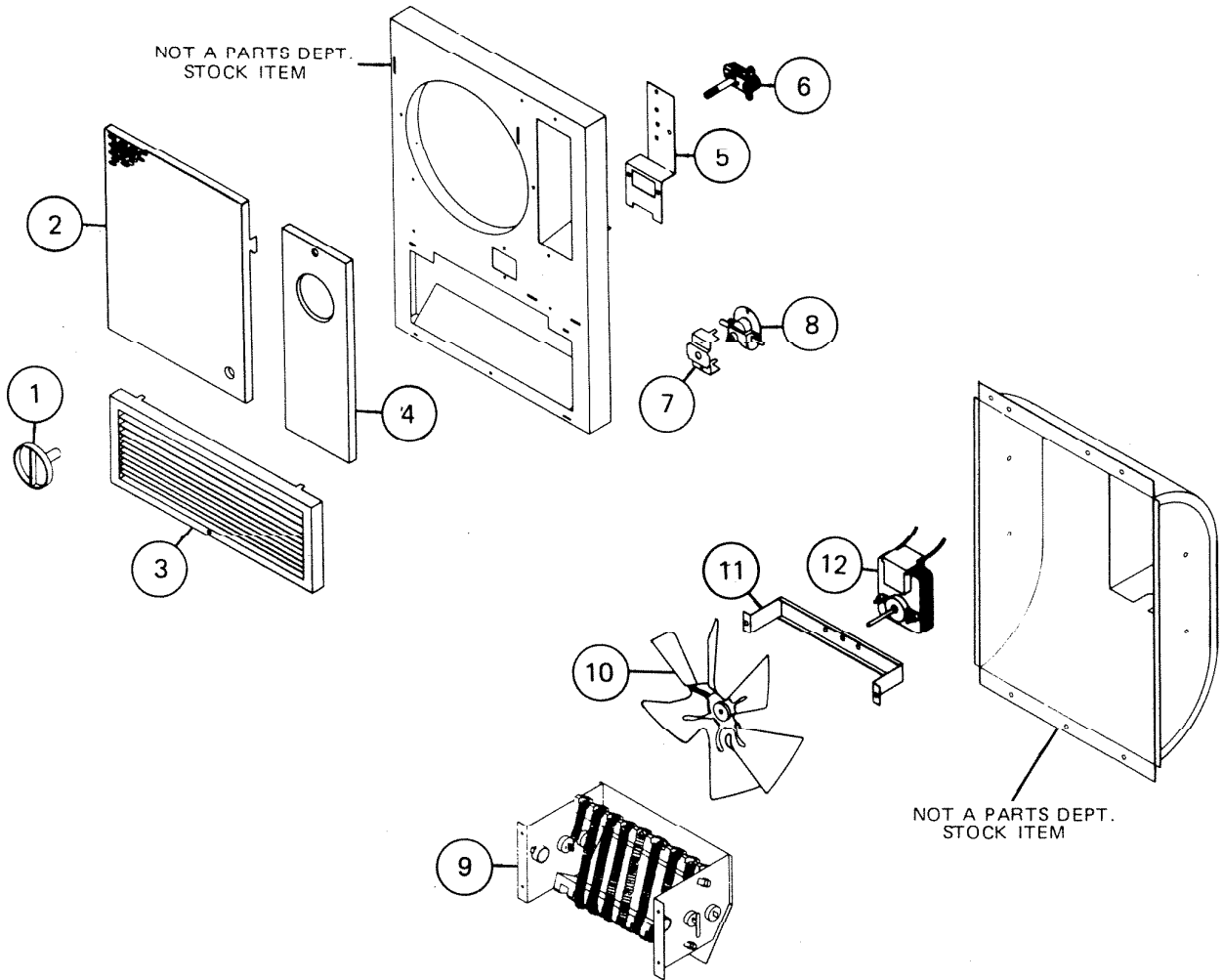


PARTS LIST

EFFECTIVE DATE	MODEL	PRODUCT GROUP
NOV. 1981	9383 NEW	HEATERS



REF.	ORIGINAL PART NO.	* PART DESCRIPTION	MODEL USED ON	CURRENT REPLACEMENT PART NO.
1	6367A	THERMOSTAT KNOB	9383	6367A-000
2	6362A	GRILLE	9383	6362A-000
3	6361A	LOUVER	9383	6361A-000
4	6363A	CONTROL PANEL	9383	6363A-000
5	6365A	CONTROL BRACKET	9383	6365A-000
(PLEASE SEE OTHER SIDE)				

NuTone


Housing Group

Scovill

Printed in U.S.A.

NOTE: Always order by current part number.

PL-9383

REF.	ORIGINAL PART NO	PART DESCRIPTION	MODEL USED ON	CURRENT REPLACEMENT PART NO
6	6366A	THERMOSTAT	9383	6366A-000
7	6380A	BRACKET	9383	6380A-000
8	6373A	HIGH LIMIT	9383	6373A-000
9	6369A	ELEMENT ASSEMBLY	9383	6369A-000
10	6371A	FAN BLADE	9383	6371A-000
11	6376A	MOTOR BRACKET	9383	6376A-000
12	6375A	MOTOR	9383	6375A-000
---	6378A	HARDWARE BAG ASSEMBLY: MOUNTING SCREWS	9383	6378A-000
				 <p>NOTE: Always order by current part number.</p>