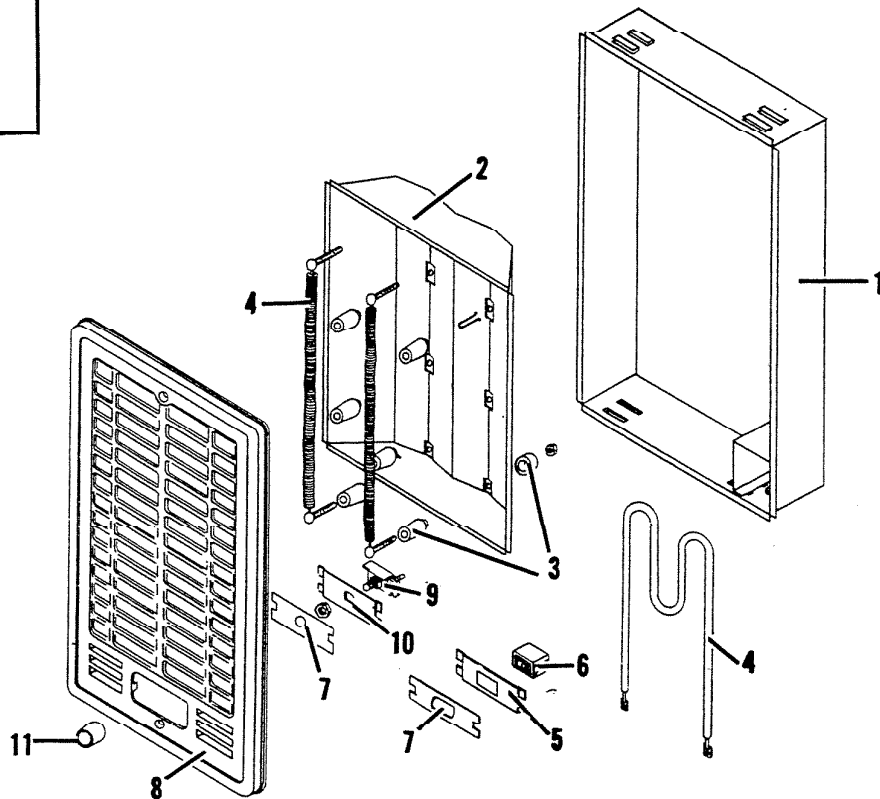


9340-42-43-52-54-56-58

9340-9358

**PARTS LIST**

MODELS 9340  
THRU 9358



**NOTE:** If parts are not available from local supplier, order from NuTone, Inc., Box 27, Cincinnati, Ohio 45227.

NOT SHOWN

REF. NO.	DESCRIPTION	MODEL NOS.						
		9340	9342	9343	9352	9354	9356	9358
		NUTONE PART NOS.						
1	"A" Unit Complete	15321	15321	15321	15321	15321	15321	15321
*	"A" Unit Mounting Bracket	15325	15325	15325	15325	15325	15325	15325
2	Reflector Assembly	69313	69313	69328	69313	69313	69313	69313
3	Insulator Set	69314	69314	-----	69314	69314	69314	69314
*	Terminal Shield	15349	15349	-----	15349	15349	15349	15349
4	Heating Element	18354	18354	18365	15342	15343	15342	15343
*	Jumper Strap	15365	15365	15365	15365	15365	15365	15365
5	Switch Mounting Bracket	15353	-----	-----	15353	15353	-----	-----

CONTINUED

REF. NO.	DESCRIPTION	MODEL NOS.						
		9340	9342	9343	9352	9354	9356	9358
		NUTONE PART NOS.						
6	Switch	15354	-----	-----	15354	15354	-----	---
7	Name Plate	18355	18359	18360	15360	15362	15361	15363
8	Grille	15350	15350	15350	15350	15350	15350	15350
*	"B" Unit Mounting Screw Set (2)	18441	18441	18441	18441	18441	18441	18441
9	Thermostat	-----	15379	18367	-----	-----	15379	15379
10	Thermostat Mounting Bracket	-----	15378	15378	-----	-----	15378	15378
11	Knob	-----	15384	15384	-----	-----	15384	15384
*	"B" Unit - Includes Comp. Heater - Less Ref. #1	18352	18358	18363	15332	15333	15334	15335
*	Element Clip	15348	15348	15348	15348	15348	15348	15348

### INSTALLATION PRECAUTIONS

To achieve the designed performance of this product, observe all requirements set forth in this instruction sheet and all markings appearing on the unit . . . otherwise the warranty is voided.

Check all operations of unit after installation has been completed.

The heater housing and switch boxes must be grounded and the installed wiring must comply with all local electrical codes.