

EFFECTIVE DATE

Dec. 1, 1970

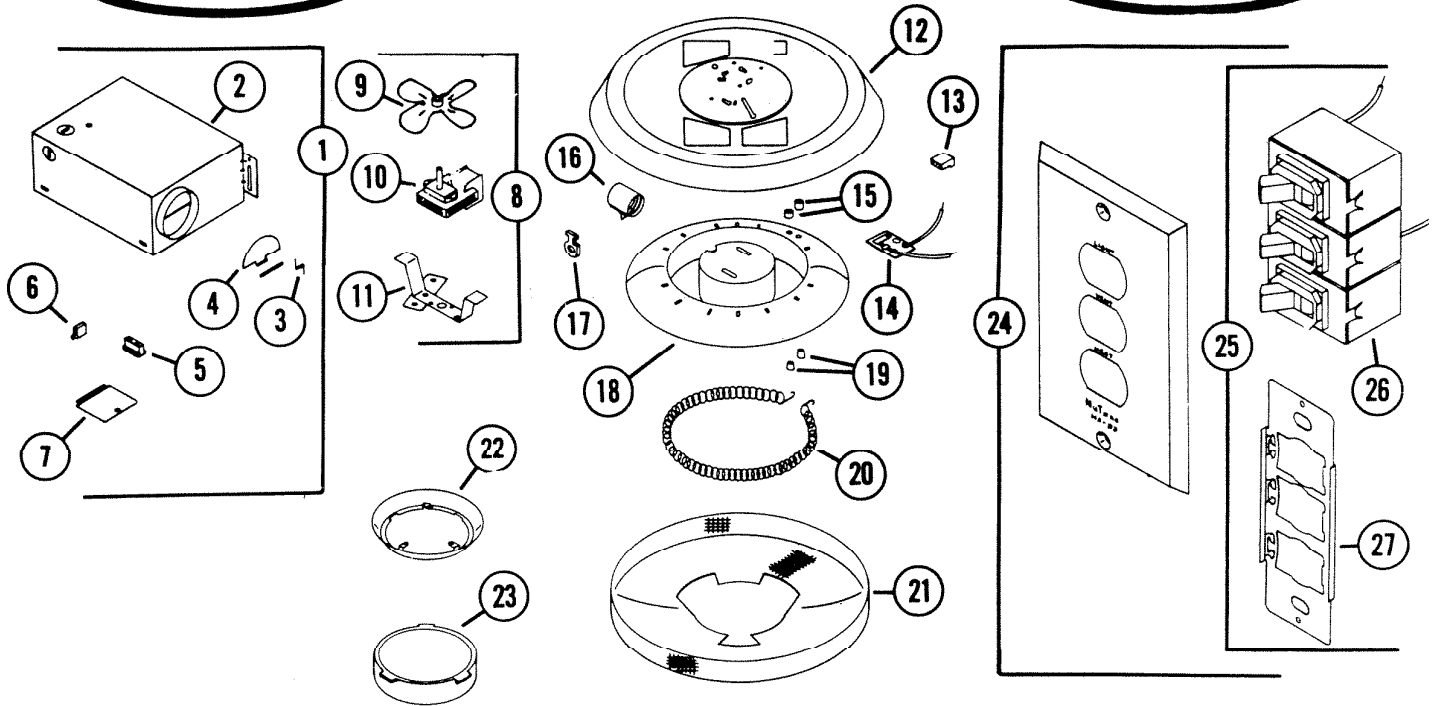
NuTone

PARTS LIST

MODEL

9276

HEATER



	PART NO.	*Part used on other model/s	PART DESCRIPTION
1	29828	*	"A" Housing Assembly Complete
2	29829	*	"A" Housing Only
3	20301	*	Louver Spring
4	20299	*	Louver Assy.
5	10034	*	Receptacle
6	29819	*	Plug Housing Socket Assy.
7	20302	*	Outlet Box Cover
8	29836		"B" Unit Assy.
9	17728	*	Fan Blade Assy.
10	19564		Motor
11	29837	*	Motor Mount Assy. (Motor Bracket)
12	29838	*	Base Assy.
13	29852		Receptacle - Housing Assy.
14	18287	*	Thermo Protector
	15346	*	Insulator Bushing Female
	29841	*	Lamp Socket

PLEASE SEE OTHER SIDE

Order Parts From: PARTS DEPT. C/O

NuTone

REF.	PART NO.	*Part used on other model/s	PART DESCRIPTION
17	22399	*	Element Support
18	29818		Reflector
19	15345	*	Insulator Bushing Male
20	23120	*	Heating Element - 1250 Watts
21	29823		Grille
22	29824		Bezel
23	29816		Lens
24	29854		Switch Assembly Complete (Model HS-93)
25	29856		Switches, Strap and Wire Assy.
26	21432	*	Switch (3 required)
27	27429	*	Strap

Order Parts From: PARTS DEPT. C/O

NuTone

DIVISION

Madison and Red Bank Rds., Cincinnati, O. 45227