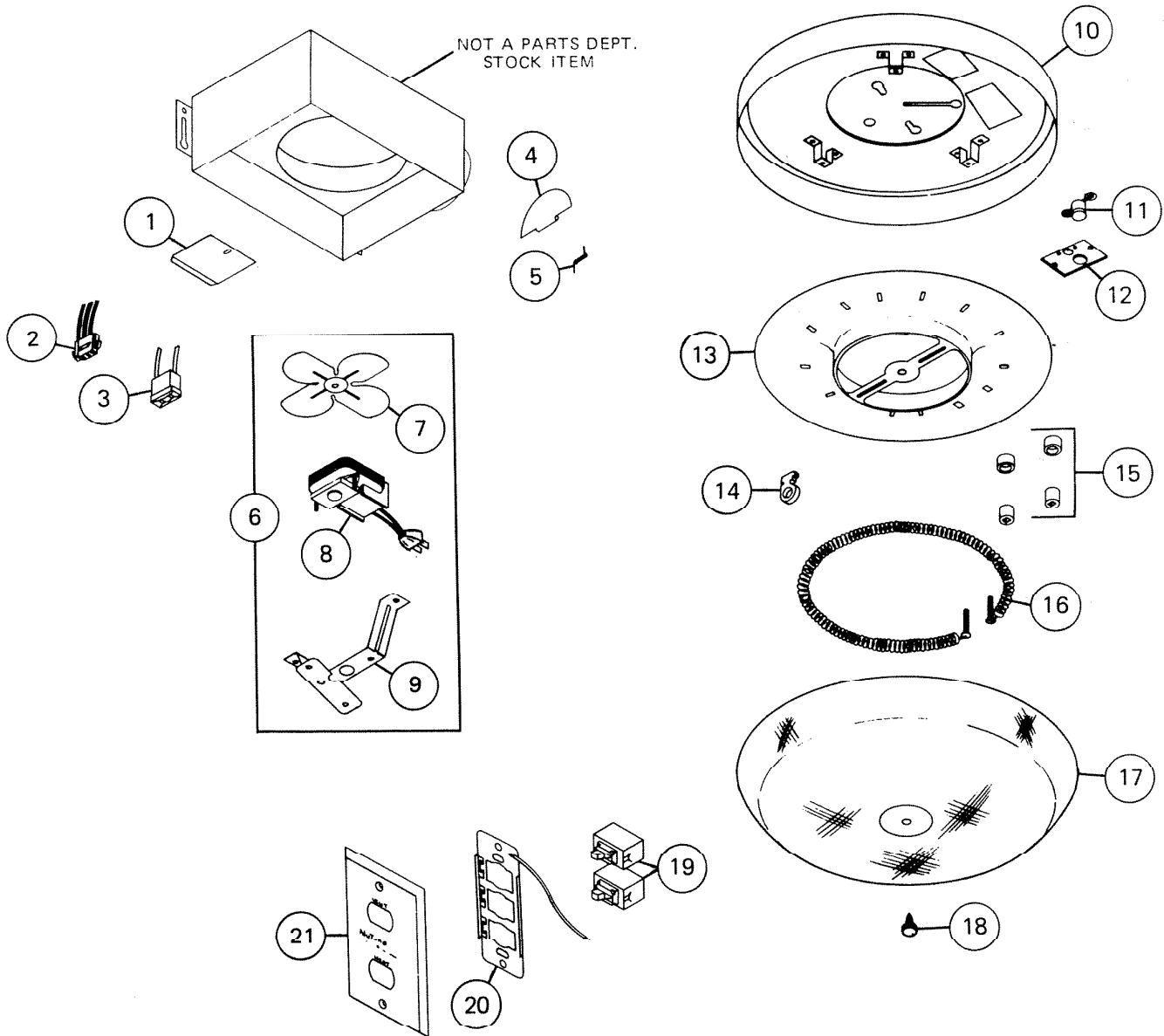


PARTS LIST

EFFECTIVE DATE	MODEL	PRODUCT GROUP
MARCH 1982	9275 REVISED	HEATERS



REF.	ORIGINAL PART NO.	* PART DESCRIPTION	MODEL USED ON	CURRENT REPLACEMENT PART NO.
1	17379	OUTLET BOX COVER	9275	17379-000
2	29819	PLUG HOUSING – SOCKET ASSEMBLY	9275	29819-000
3	10034	RECEPTACLE	9275	10034-000
		(PLEASE SEE OTHER SIDE)		

NuTone Division

Printed in U.S.A.

NOTE: Always order by current part number.

PL-9275

REF.	ORIGINAL PART NO.	* PART DESCRIPTION	MODEL USED ON	CURRENT REPLACEMENT PART NO.
4	20299	LOUVER ASSEMBLY	9275	20299-000
5	20301	LOUVER SPRING	9275	20301-000
6	29836	MOTOR & MOUNT ASSEMBLY	9275	29836-000
7	20727	FAN BLADE ASSEMBLY	9275	20727-000
8	17732	MOTOR	9275	19564-000
9	29837	MOTOR MOUNT ASSEMBLY	9275	29837-000
10	29838	BASE ASSEMBLY	9275	29838-000
11	18287	THERMO PROTECTOR	9275	18287-000
12	18188	TERMINAL BOARD ASSEMBLY	9275	18188-000
13	23116	REFLECTOR	9275	23116-008
14	22399	ELEMENT SUPPORT – 11 REQUIRED	9275	22399-000
15	69314	INSULATOR BUSHING SET – 2 REQUIRED	9275	69314-000
16	23120	HEATING ELEMENT	9275	23120-000
17	29842	GRILLE ASSEMBLY	9275	29842-000
18	22199	GRILLE SCREW	9275	22199-015
19	21432	SWITCH – 2 REQUIRED	9275	21432-000
20	27429	STRAP	9275	27493-000
21	17107	WALL PLATE	9275	17107-000
				 NOTE: Always order by current part number.