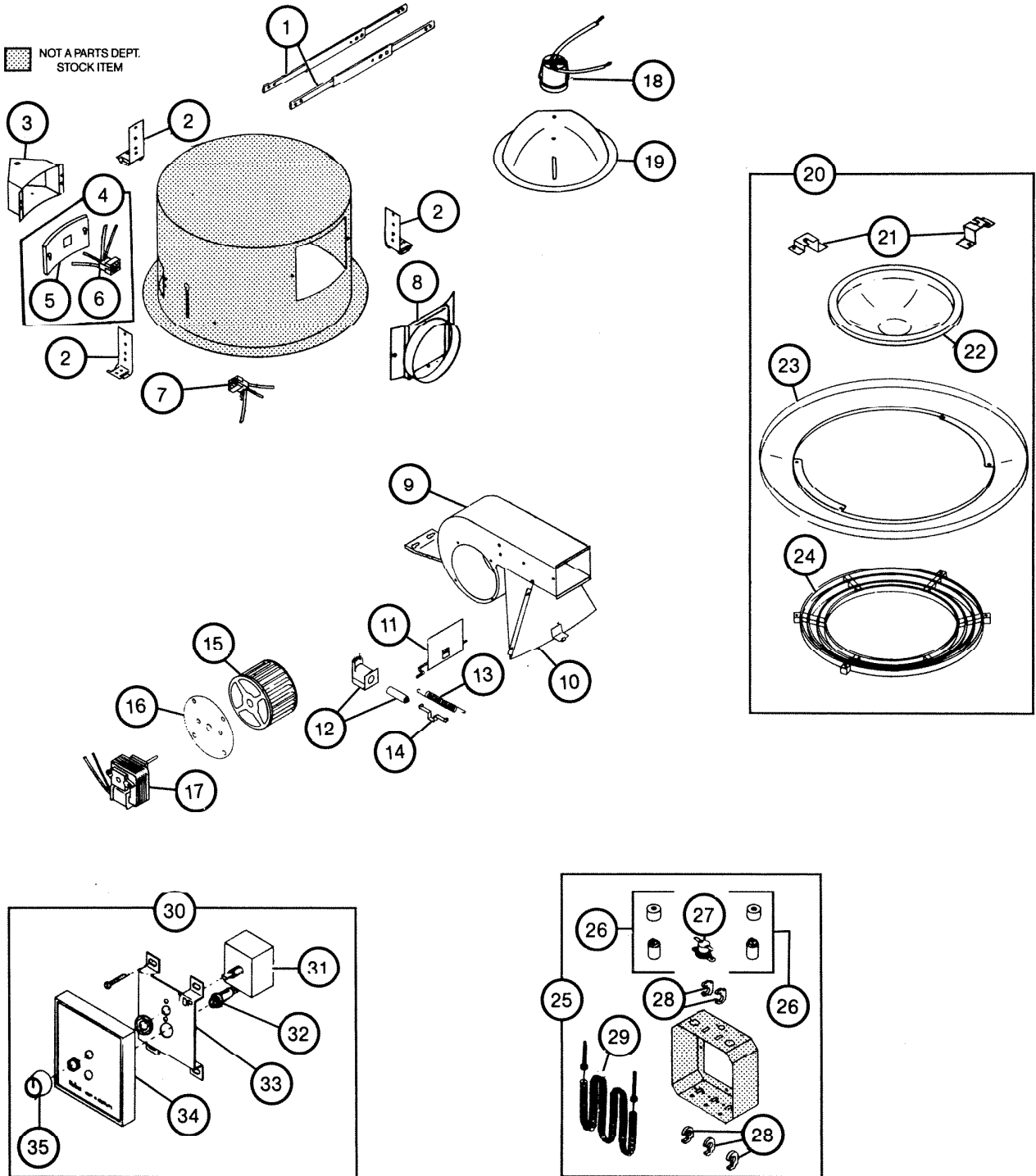


PARTS LIST

EFFECTIVE DATE	MODEL	PRODUCT GROUP
JAN. 1990	9112 REVISED	HEATER

NOT A PARTS DEPT. STOCK ITEM



REF.	ORIGINAL PART NO.	*PART DESCRIPTION	CURRENT REPLACEMENT PART NO.
1	13306	HANGFR BAR SFT	13306-000
2	10949	CEILING MOUNTING (1)–3 Required	53194-000
3	11320	OUTLET BOX	11320-000
4	27514	OUTLET BOX COVER ASSEMBLY	27514-000
5	27508	OUTLET BOX COVER	27508-000
6	27515	RECEPTACLE HOUSING-PIN ASSEMBLY–Male	27515-000
7	64601	SOCKET ASSEMBLY	VOID NOT AVAILABLE
8	27518	DUCT PLATE ASSEMBLY	
9	64590	BLOWER SCROLL ASSEMBLY	
10	27582	HEAT DISCHARGE ASSEMBLY	
11	27579	LOUVER ASSEMBLY	27579-000
12	64595	SOLENOID	27588-000
13	64605	SPRING	64605-000
14	27589	SOLENOID LINKAGE	27589-000
15	63677	BLOWER WHEEL	66142-000
16	63673	MOTOR PLATE ASSEMBLY	57766-000
17	64586	MOTOR	58000-000
18	27550	LIGHT SOCKET ASSEMBLY	69296-000
19	27554	REFLECTOR	27554-206
20	27559	GRILLE ASSEMBLY	56704-000
21	27562	GUARD MOUNTING BRACKET (1)–2 Required	27562-038
22	27561	LENS	27561-000
23	27558	CEILING RING	27558-014
24	27560	GUARD	0474A-000

↑

NOTE: Always order by current part number.

REF.	ORIGINAL PART NO.	*PART DESCRIPTION	CURRENT REPLACEMENT PART NO.
25	27552	HEAT BOX ASSEMRY Y	VOID NOT AVAILABLE
26	69314	INSULATOR BUSHING SET--(1) Male (1) Female	69314-000
27	27548	THERMO PROTECTOR	27548-000
28	27546	ELEMENT SUPPORT (1) 5 Required	27546-000
29	27593	HEATING ELEMENT--1500W	58120-000
30	21441	SWITCH AND PLATE ASSEMBLY COMPLETE	21441-000
31	27612	ROTARY SWITCH	27612-000
32	21447	PILOT LITE	21447-000
33	21445	SWITCH AND PILOT LITE MOUNTING BRACKET	21445-000
34	21442	SWITCH PLATE ASSEMBLY	21442-000
35	21404	KNOB	9052A-000



NOTE: Always order by current part number.

