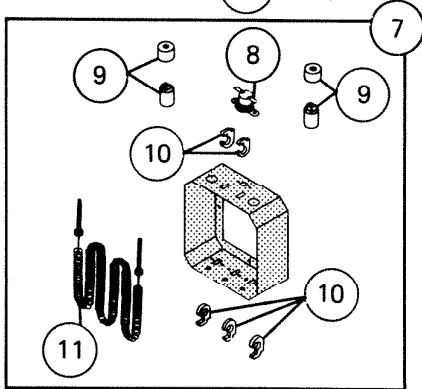
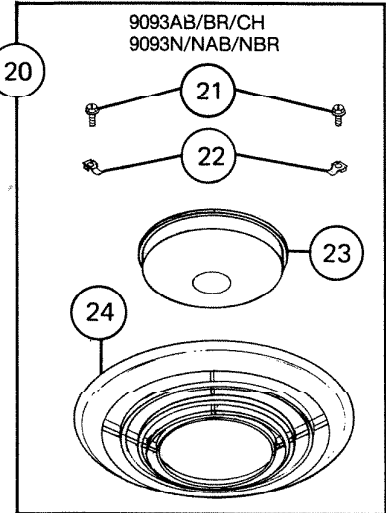
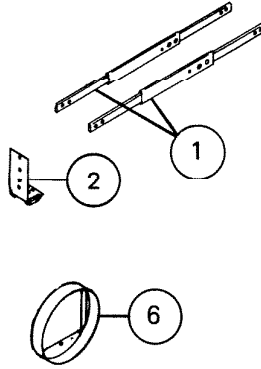
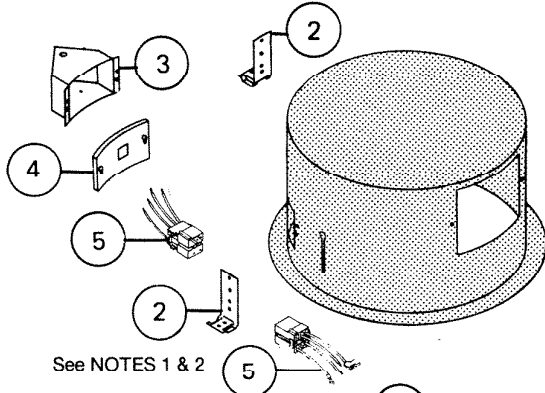
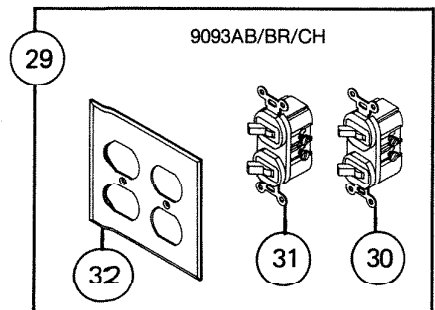
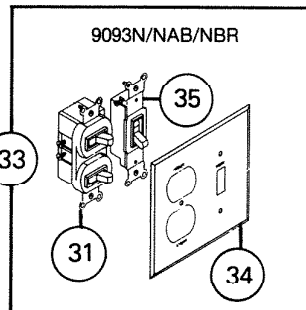
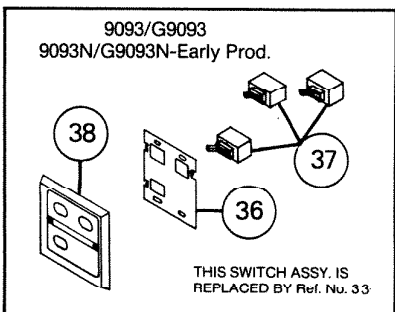
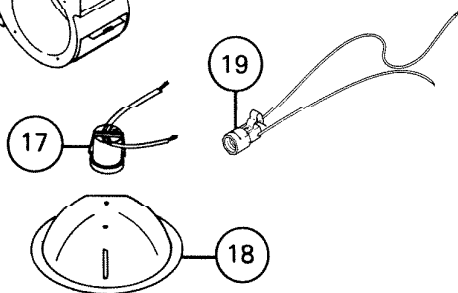
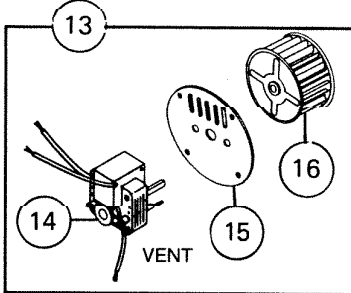
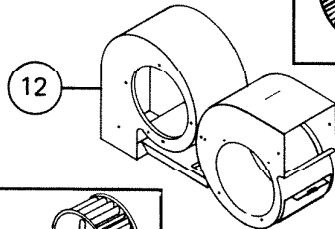
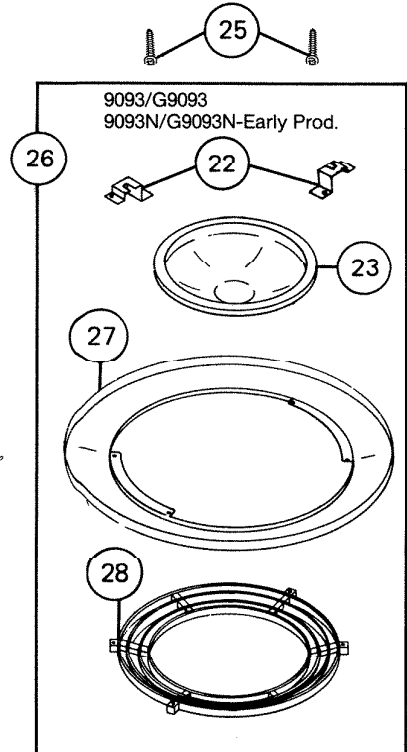
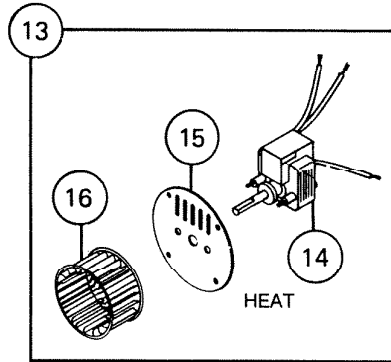


# PARTS LIST

EFFECTIVE DATE	MODEL	PRODUCT GROUP
JAN. 1990	9093AB, BR, CH 9093NAB, NBR NEW 9093, G9093 9093N, G9093N REVISED	HEATER



NOT A PARTS DEPT. STOCK ITEM



REF.	ORIGINAL PART NO.	*PART DESCRIPTION	MODEL USED ON	CURRENT REPLACEMENT PART NO.
1	13306	HANGAR BAR SET	ALL MODELS	13306-000
2	53193	CEILING MOUNTING BRACKET ASSY.—SET OF 4		53194-000
3	11320	OUTLET BOX	9093 G9093 9093N G9093N 9093NAB 9093NBR	11320-000
	35962		MODELS WITH NIGHT LIGHT	9093AB 9093BR 9093CH
4	27508	OUTLET BOX COVER	9093 G9093 9093N G9093N 9093NAB 9093NBR	27508-000
	35963		MODELS WITH NIGHT LIGHT	9093AB 9093BR 9093CH
5	SEE NOTE 2	RECEPTACLE/SOCKET/WIRE ASSEMBLY	9093 G9093 9093N G9093N 9093NAB 9093NBR	0476A-000
	SEE NOTE 1		MODELS WITH NIGHT LIGHT	9093AB 9093BR 9093CH
6	11390	DUCT ASSEMBLY	ALL MODELS	11390-000
7	27544	HEAT BOX ASSEMBLY		27544-000
8	27548	THERMAL PROTECTOR		27548-000
9	15346	INSULATOR BUSHING SET (1)—2 REQUIRED		69314-000
10	27546	ELEMENT SUPPORT (1)—5 REQUIRED	ALL MODELS	27546-000
11	27593	HEATING ELEMENT—1500 W.		58120-000
12	64956	BLOWER HOUSING ASSEMBLY		64956-005
13	69352	POWER UNIT	HEAT	69352-000
	69353		VENT	69353-000

NOTE: Always order by current part number.

REF.	ORIGINAL PART NO.	*PART DESCRIPTION		MODEL USED ON	CURRENT REPLACEMENT PART NO.	
14	66582	MOTOR	HEAT	9093 G9093	57769-000	
	64965 57769			MOTOR KIT SEE NOTE 3	9093N G9093N	69285-000
	57769			9093NAB 9093NBR 9093AB 9093BR 9093CH	57769-000	
	64964		VENT	EARLY PROD.	9093 G9093 9093N	58000-000
	58000				9093N 9093NAB 9093NBR 9093AB 9093BR 9093CH	
15	63654	MOTOR MOUNTING PLATE		ALL MODELS	57766-000	
16	66142	BLOWER WHEEL—SEE NOTE 4	HEAT	9093 G9093	66142-000	
	66583			9093N G9093N 9093NAB 9093NBR 9093AB 9093BR 9093CH	66583-000	
	66142		VENT	ALL MODELS	66142-000	
17	64966	LIGHT SOCKET ASSEMBLY		ALL MODELS	64966-000	
18	27554	REFLECTOR			35964-206	
19	30156	LAMP SOCKET ASSEMBLY—NIGHT LIGHT		9093AB 9093BR 9093CH	30156-000	
20	33734	GRILLE ASSEMBLY—	ANT. BRASS	9093NAB 9093AB	33734-000	
	33735		BRASS	9093NBR 9093BR	33735-000	
	27559		CHROME	9093 9093N 9093CH	56704-000	
21	27603	SCREW (1)—FOR LENS MOUNTING BRACKETS		ALL MODELS	27603-015	
22	27562	MOUNTING BRACKET—LENS		9093 G9093	27562-038	
	56706			9093N G9093N 9093NAB 9093NBR 9093AB 9093BR 9093CH	56706-000	
23	27561	LENS		ALL MODELS	27561-000	

↑

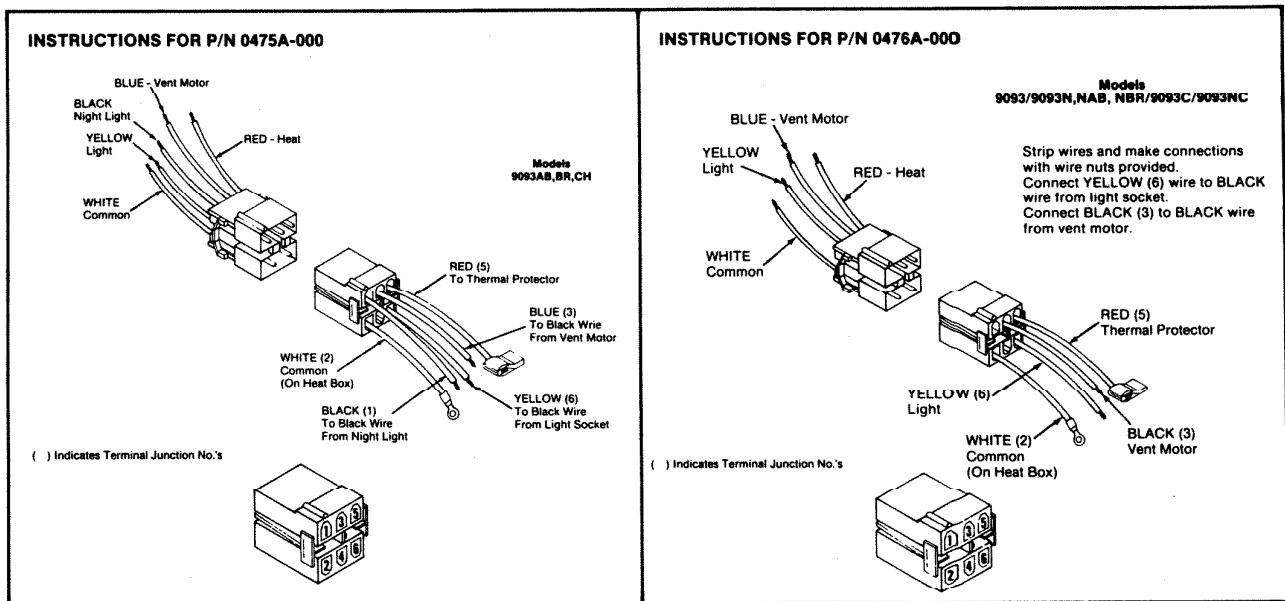
**NOTE: Always order by current part number.**

REF.	ORIGINAL PART NO.	*PART DESCRIPTION	MODEL USED ON	CURRENT REPLACEMENT PART NO.	
24	56705	GRILLE—W/LENS MTG. BRACKETS	ANT. BRASS	9093NAB 9093AB	0473A-000
			BRASS	9093NBR 9093BR	0472A-000
			CHROME	9093N 9093CH	0474A-000
25	31202	SCREW (1)	ALL MODELS	52858-015	
26	27559	GRILLE ASSEMBLY—Early Production	CHROME	9093 9093N	USE REF. NO. 20
	27606		GOLD	G9093 G9093N	27606-000
27	27558	CEILING RING	CHROME	9093 9093N	27558-014
			GOLD	G9093 G9093N	VOID—NOT AVAILABLE USE REF. NO. 26
28	27560	GUARD	9093 9093N G9093 G9093N	VOID—NOT AVAILABLE USE REF. NO. 24 VOID—NOT AVAILABLE USE REF. NO. 26	
29	30193	SWITCH ASSEMBLY—Complete	9093AB 9093BR 9093CH	30193-000	
30	K3149	SWITCH—DOUBLE TOGGLE W/GROUND—15 Amp.	9093AB 9093BR 9093CH	K3149-000	
31	K3148	SWITCH—DOUBLE TOGGLE—15 Amp.	9093N G9093N 9093NAB 9093NBR 9093AB 9093BR 9093CH	K3148-000	
32	K3147	WALL PLATE—Models W/Night Light	9093AB 9093BR 9093CH	K3147-000	
33	64969	SWITCH ASSEMBLY—Complete	9093 G9093	33428-000	
	64969 33428		9093N G9093N		
	33428		9093NAB 9093NBR		
34	57318	WALL PLATE—SWITCH	9093N G9093N 9093NAB 9093NBR	57318-000	
35	57317	SINGLE TOGGLE SWITCH—15 Amp.	9093N G9093N 9093NAB 9093NBR	57317-000	
36	64971	SWITCH STRAP	9093 G9093 9093N G9093N	64971-000	
37	21432	SWITCH (1)—3 Required	9093 G9093 9093N G9093N	21432-000	

NOTE: Always order by current part number.

REF.	ORIGINAL PART NO.	*PART DESCRIPTION	MODEL USED ON	CURRENT REPLACEMENT PART NO.
38	64972	WALL PLATE—Switch	9093 G9093 9093N G9093N	64972-000
			EARLY PRODUCTION	

NOTE: Always order by current part number.



- NOTE 1: Ref. No. 5, RECEPTACLE/SOCKET/WIRE ASSEMBLY P/N 0475A-000, Replaces RECEPTACLE P/N 30124-000 and PLUG HOUSING P/N 56735-000
- NOTE 2: Ref. No. 5, RECEPTACLE/SOCKET/WIRE ASSEMBLY P/N 0476A-000, Replaces RECEPTACLE P/N 56730-000 and PLUG HOUSING P/N 56735-000
- NOTE 3: MOTOR KIT: Contains Motor P/N 57769-000 and Blower Wheel P/N 66583-000
- NOTE 4: BLOWER WHEEL P/N 66142-000 is 3-3/4" x 2-1/2"  
BLOWER WHEEL P/N 66583-000 is 3-3/4" x 2"

