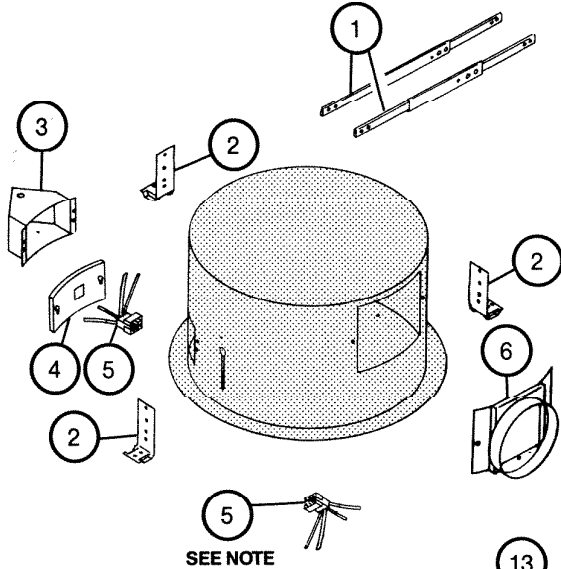

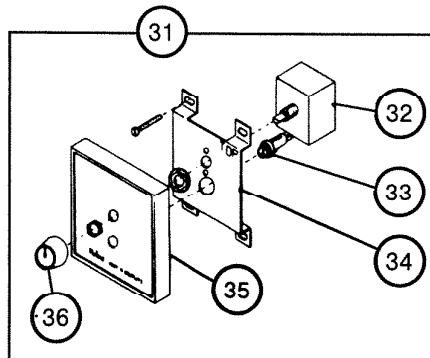
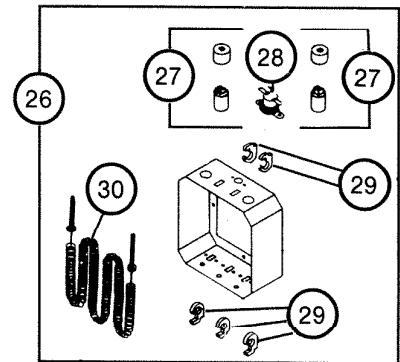
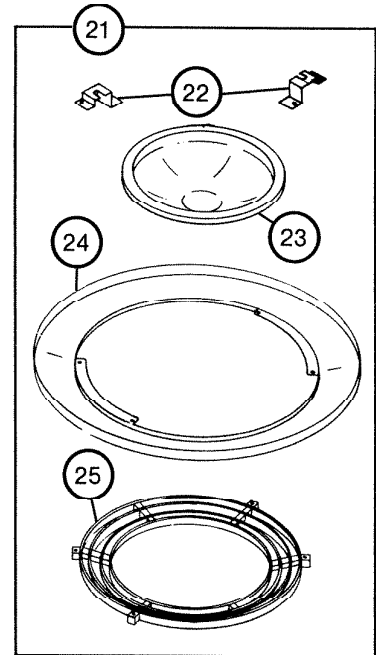
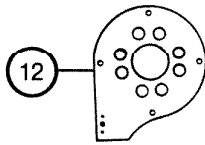
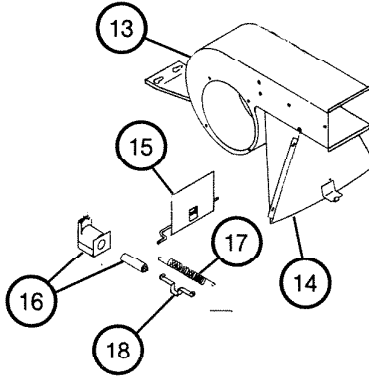
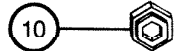
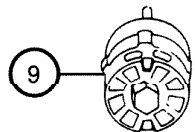
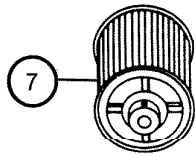
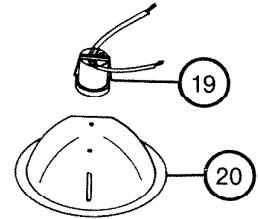


PARTS LIST

EFFECTIVE DATE	MODEL	PRODUCT GROUP
JAN. 1990	9091 G9091 REVISED	HEATER



 NOT A PARTS DEPT. STOCK ITEM



NuTone

REF.	ORIGINAL PART NO.	*PART DESCRIPTION			CURRENT REPLACEMENT PART NO.
1	13306	HANGER BAR SET			13306-000
2	10173	CEILING MOUNTING BRACKET			10173-000
3	11320	OUTLET BOX			11320-000
4	27508	OUTLET BOX COVER			27508-000
5	SEE NOTE	RECEPTACLE/SOCKET/WIRE ASSEMBLY			0479A-000
6	27518	DUCT PLATE ASSEMBLY			VOID NOT AVAILABLE
7	27251	BLOWER WHEEL			
8	19359	MOTOR MOUNT—HEX			19359-000
9	27540	MOTOR			27540-SER
10	19360	MOTOR MOUNT			19360-000
11	27252	MOTOR SUPPORT			27252-000
12	27250	MOTOR PLATE			VOID NOT AVAILABLE
13	27574	BLOWER SCROLL ASSEMBLY			
14	27582	HEAT DISCHARGE ASSEMBLY			
15	27579	LOUVER ASSEMBLY			27579-000
16	64595	SOLENOID			27588-000
17	64605	SPRING			64605-000
18	27589	SOLENOID LINKAGE			27589-000
19	27550	LIGHT SOCKET ASSEMBLY			69296-000
20	27554	REFLECTOR			27554-206
21	27559	GUARD ASSEMBLY	w/Silver Ceiling Ring	9091	56704-000
	27606		w/Gold Ceiling Ring	G9091	27606-000
22	27562	GUARD MOUNTING BRACKET (2) Required			27562-038
23	27561	LENS			27561-000
24	27558	CEILING RING	Silver	9091	27558-014
			Gold	G9091	27606-000

↑

NOTE: Always order by current part number.

REF.	ORIGINAL PART NO.	*PART DESCRIPTION	CURRENT REPLACEMENT PART NO.
25	27560	GUARD	0474A-000
26	27544	HEAT BOX ASSEMBLY	27544-000
27	69314	INSULATOR BUSHING SET—(1) Male (1) Female	69314-000
28	27548	THERMAL PROTECTOR	27548-000
29	27546	ELEMENT SUPPORT (1)—5 Required	27546-000
30	27593	HEATING ELEMENT—1500 W	58120-000
31	21441	SWITCH ASSEMBLY COMPLETE	21441-000
32	27612	ROTARY SWITCH	27612-000
33	21447	PILOT LITE	21447-000
34	21445	SWITCH AND PILOT LITE MOUNTING BRACKET	21445-000
35	21442	SWITCH PLATE ASSEMBLY	21442-000
36	21404	KNOB	9052A-000

NOTE: Ref. No. 5, RECEPTACLE/SOCKET/WIRE ASSEMBLY P/N 0479A-000,
Replaces RECEPTACLE P/N 27515-000 and PLUG HOUSING P/N 27596-000

NOTE: Always order by current part number.

INSTRUCTIONS FOR P/N 0479A-000

