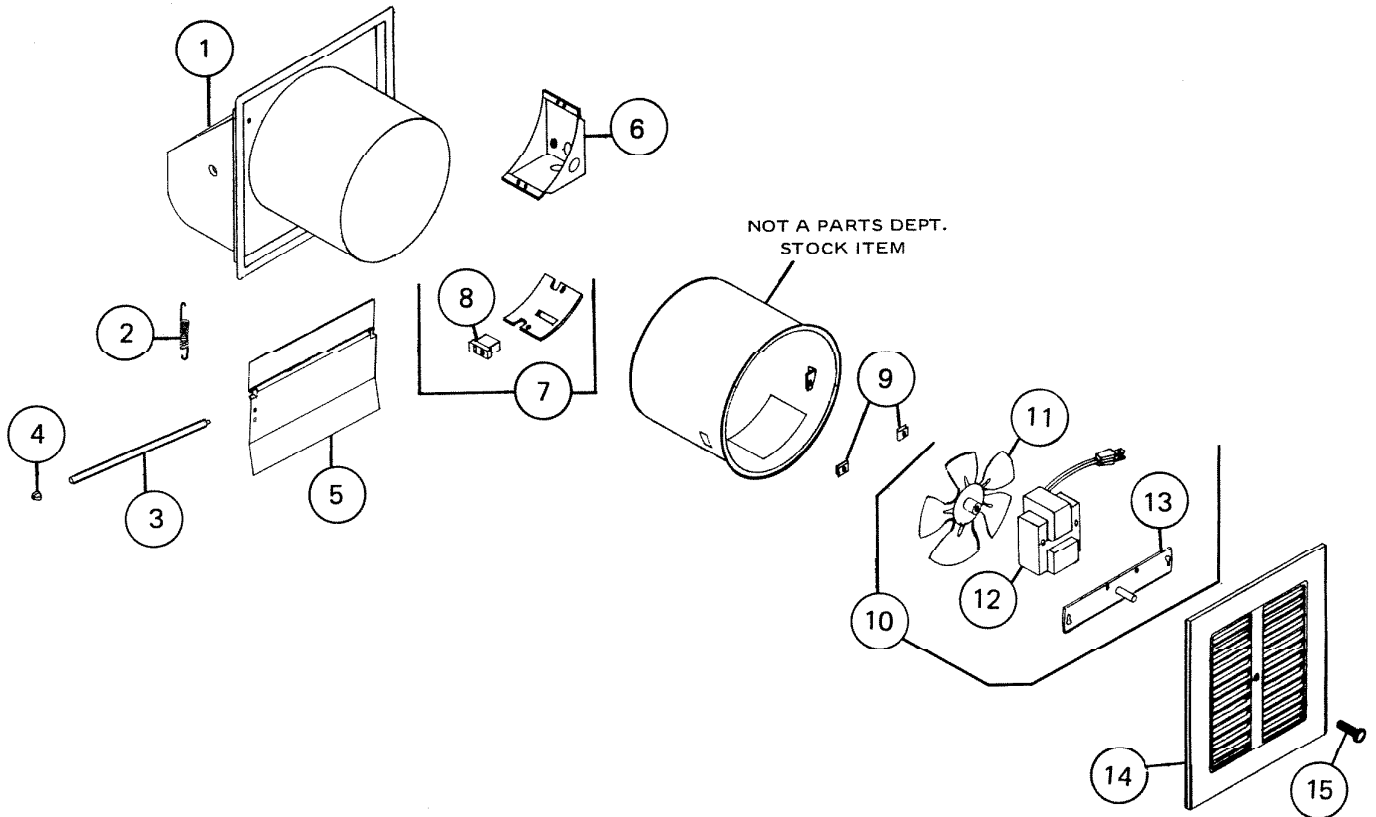


PARTS LIST

EFFECTIVE DATE	MODEL	PRODUCT GROUP
AUGUST 1980	8870 REVISED	EXHAUST FAN



REF.	ORIGINAL PART NO.	* PART DESCRIPTION	MODEL USED ON	CURRENT REPLACEMENT PART NO.
1	22623	FLASH PLATE & HOOD ASSEMBLY	8870	22623-000
2	10877	SPRING	8870	10877-000
3	22638	HINGE ROD	8870	22638-000
4	26855	PAL NUT – NOTE: May Be Purchased Locally.	8870	26855-000
5	22637	LOUVER	8870	22637-000
6	10473	OUTLET BOX	8870	10473-005
7	22642	OUTLET BOX COVER ASSEMBLY	8870	22642-000
8	10034	RECEPTACLE	8870	10034-000
9	15583	SPEED NUT – 2 REQUIRED	8870	18218-000
10	22647	POWER UNIT ASSEMBLY	8870	1315A-000
11	22651	FAN BLADE ASSEMBLY	8870	22651-000
		(PLEASE SEE OTHER SIDE)		

NuTone Division

NOTE: Always order by current part number.

PL - 8870

REF.	ORIGINAL PART NO.	* PART DESCRIPTION		MODEL USED ON	CURRENT REPLACEMENT PART NO.
12	22650	MOTOR		8870	26753-000
13	15589	MOTOR BRACKET ASSEMBLY		8870	15589-000
14	16824	GRILLE	ALUMINUM	8870	13178-000
	66715		PLASTIC		66715-000
15	11247	GRILLE SCREW	METAL	8870	11247-001
	66716		PLASTIC		66716-000