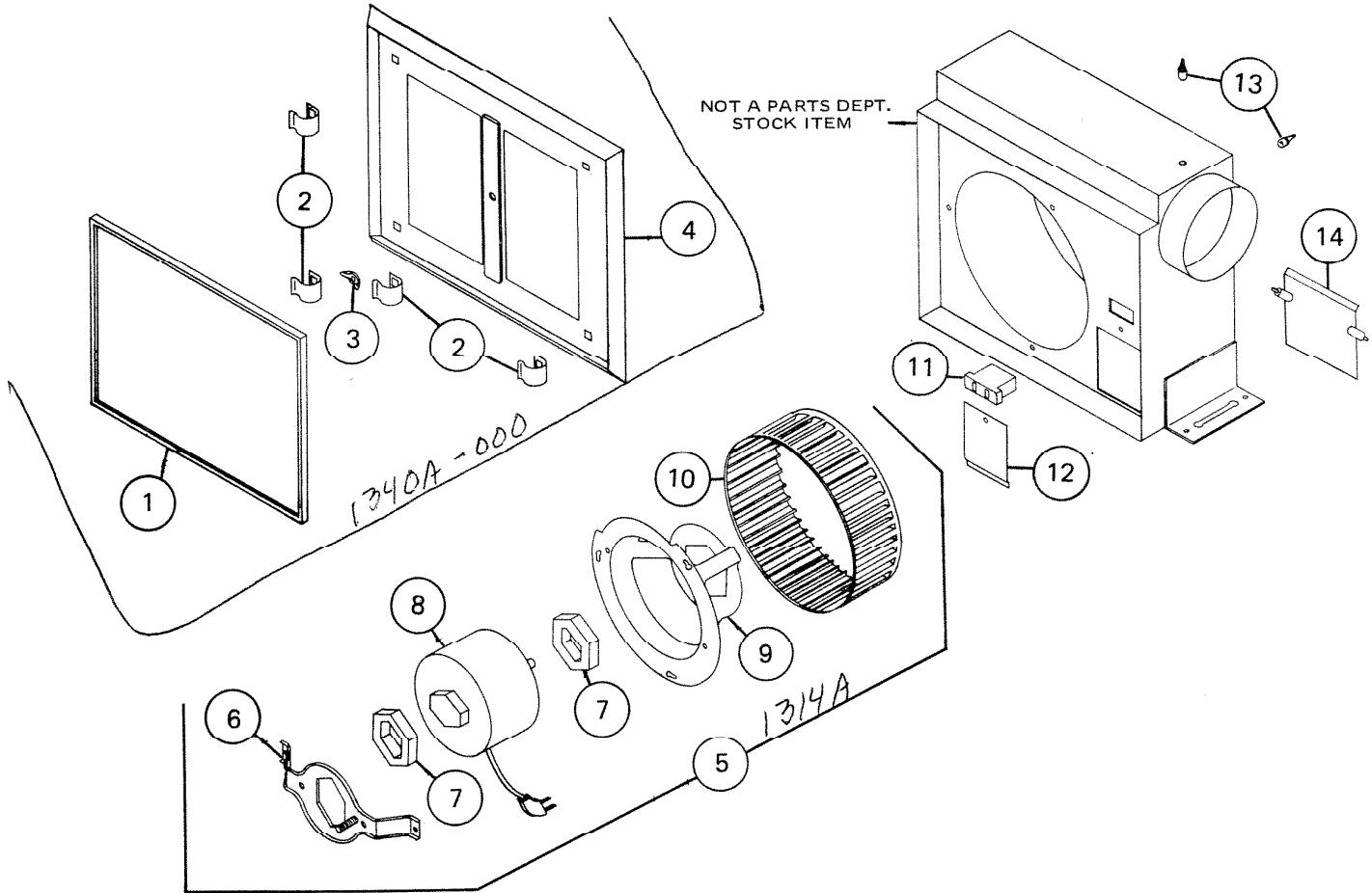


PARTS LIST

EFFECTIVE DATE	MODEL	PRODUCT GROUP
AUGUST 1980	8833 REVISED	EXHAUST FAN



REF.	ORIGINAL PART NO.	* PART DESCRIPTION	MODEL USED ON	CURRENT REPLACEMENT PART NO.
1	23393	GRILLE PANEL <i>ASSY - 1340A</i>	8833	23393-014
2	69077	GRILLE SPRING SET - 4	8833	69077-000
3	16133	WING NUT 1/4 x 20 (NOTE: May be Purchased Locally.)	8833	16133-000
4	23391	GRILLE	8833	23391-014
5	23386	POWER UNIT ASSEMBLY	8833	1314A-000
6	22790	MOTOR CLAMP ASSEMBLY	8833	22790-000
7	19360	HEX MOTOR MOUNT	8833	19360-000
		(PLEASE SEE OTHER SIDE)		

NuTone Division

NOTE: Always order by current part number.

REF.	ORIGINAL PART NO.	* PART DESCRIPTION		MODEL USED ON	CURRENT REPLACEMENT PART NO.
8	23388	MOTOR	7/69 TO 9/72 PRODUCTION	8833	23388-SER
	23405		9/72 TO CURRENT PRODUCTION		23405-SER
9	23387	VENTURI RING		8833	23387-005
10	20469	BLOWER WHEEL ASSEMBLY		8833	5900A-000
11	10034	RECEPTACLE		8833	10034-000
12	23383	OUTLET BOX COVER		8833	23383-005
13	27533	RUBBER BUMPER		8833	27538-000
14	23219	LOUVER		8833	23219-000