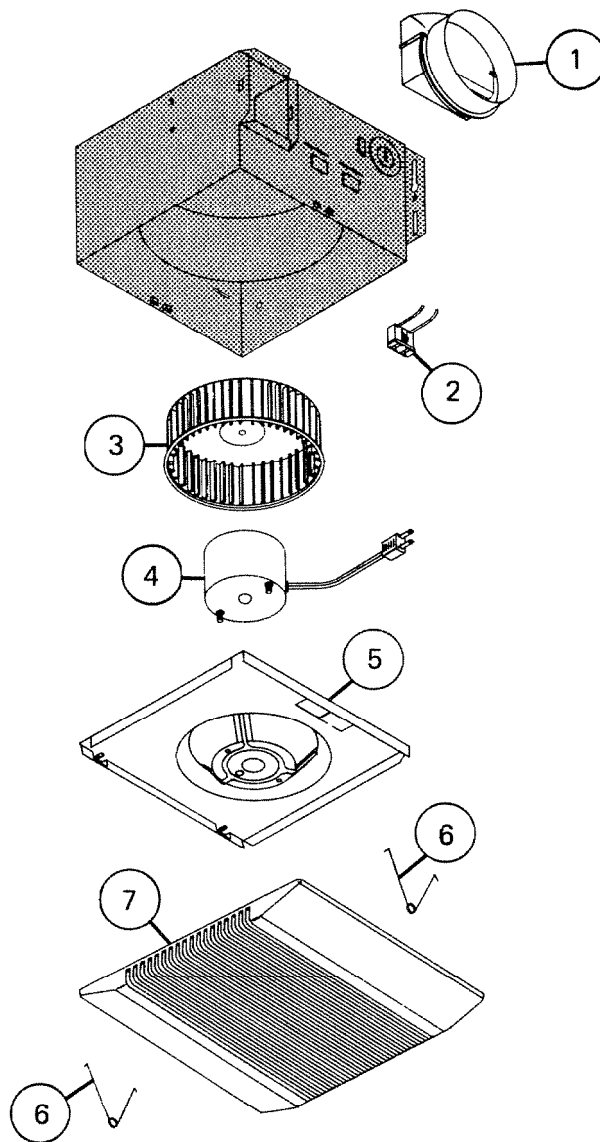


PARTS LIST

EFFECTIVE DATE	MODEL	PRODUCT GROUP
MARCH 1983	8814 NEW	EXHAUST FANS



 NOT A PARTS DEPT. STOCK ITEM

REF.	ORIGINAL PART NO.	PART DESCRIPTION	MODEL USED ON	CURRENT REPLACEMENT PART NO.
1	53697	DUCT ADAPTOR ASSEMBLY	8814	53697-000
2	10034	RECEPTACLE	8814	10034-000
3	5900A	BLOWER WHEEL	8814	5900A-000
4	53581	MOTOR	8814	0434A-000
5	53580	MOTOR MOUNTING PLATE	8814	53580-000
6	29861	GRILLE SPRING	8814	29861-000
7	53596	GRILLE	8814	53596-000

NuTone


NOTE Always order by current part number