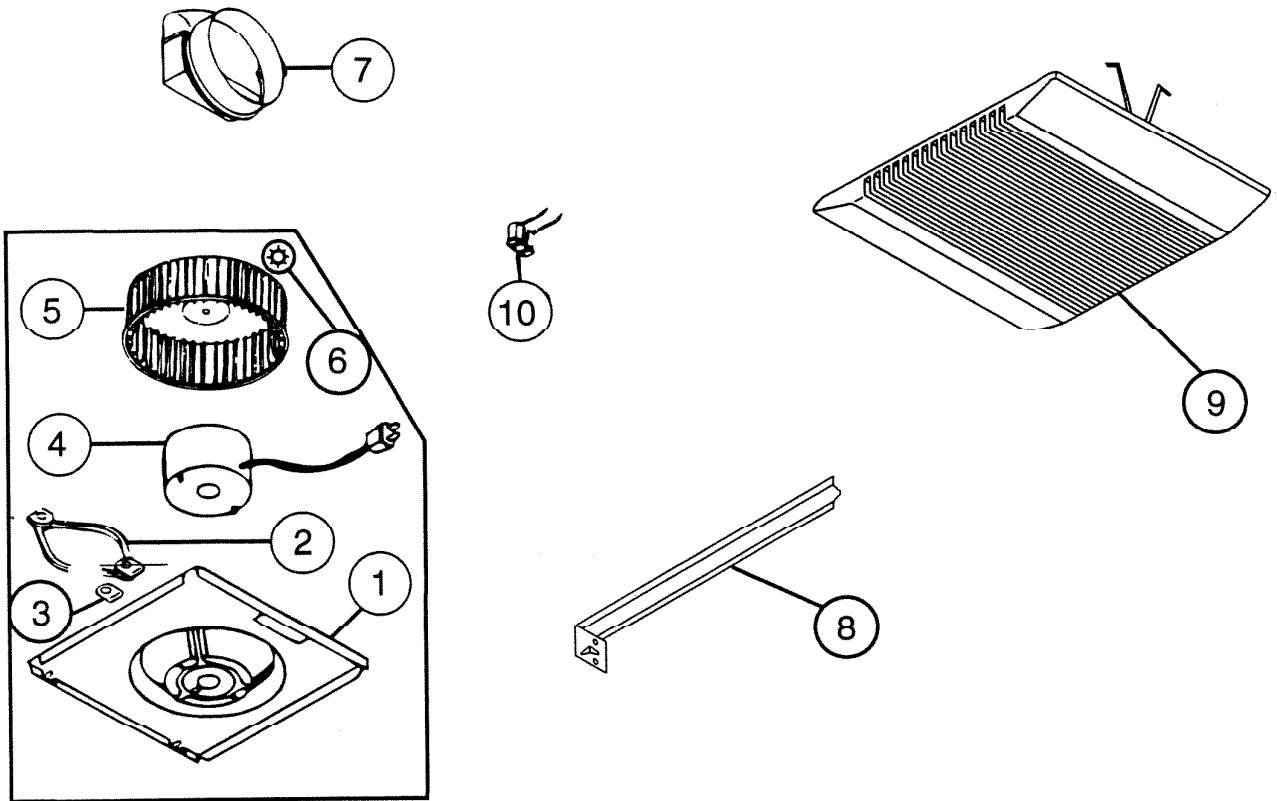


PARTS LIST

EFFECTIVE DATE	MODEL NUMBER	PRODUCT GROUP
SEPTEMBER 1997	8814R	FAN



REF.	ORIGINAL PART NO.	PART DESCRIPTION	CURRENT REPLACEMENT PART NO.
1	86863	MOTOR MOUNTING PLATE	86863-000
2	32787	MOTOR ISOLATION MOUNT	32787-000
3	32788	GROUND CLIP	32788-000
4	86933	MOTOR	86933-000
5	51919	BLOWER WHEEL	51919-000
6	63007	PUSH NUT	63007-000
7	30652	DUCT ADAPTER ASSEMBLY	30652-000
8	44388	HANGER BAR (1)	44388-000
9	44208	GRILLE & SPRING ASSEMBLY	44208-000
10	10034	RECEPTACLE	10034-000

NuTone

NuTone
 Attn: Parts Department
 Madison & Red Bank Rds.
 Cincinnati, OH 45227-1599
 Phone: (513) 527-5426
 Fax: (513) 527-5173

↑
NOTE: Always order by current part number

8814R I.I.