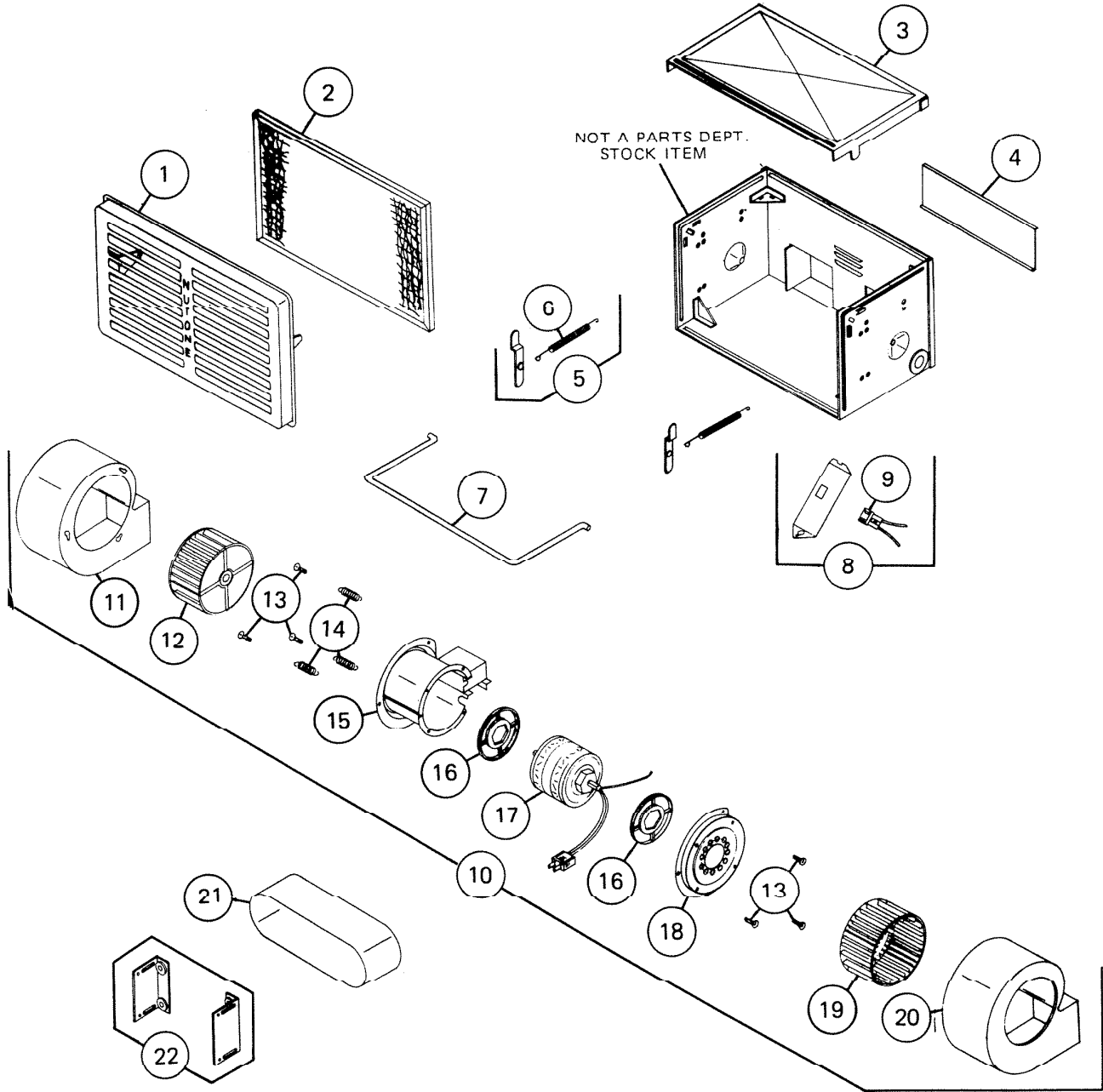


PARTS LIST

EFFECTIVE DATE	MODEL	PRODUCT GROUP
MARCH 1982	8720 REVISED	EXHAUST FANS



REF.	ORIGINAL PART NO.	* PART DESCRIPTION	MODEL USED ON	CURRENT REPLACEMENT PART NO.
1	12731	GRILLE	8720	12731-000
(PLEASE SEE OTHER SIDE)				

NuTone

NOTE: Always order by current part number.

REF.	ORIGINAL PART NO.	* PART DESCRIPTION	MODEL USED ON	CURRENT REPLACEMENT PART NO.
2	11207	FILTER	8720	27590-900
3	11126	REVERSIBLE PLATE	8720	11126-005
4	11461	LOUVER ASSEMBLY	8720	11461-000
5	11153	SWIVEL BRACKET ASSEMBLY - 2 REQUIRED	8720	11153-000
6	11148	GRILLE SPRING SET - 2	8720	1243A-000
7	11125	HOUSING CLAMP	8720	11125-005
8	11119	OUTLET BOX ASSEMBLY	8720	11119-000
9	10034	PLUG RECEPTACLE	8720	10034-000
10	11742	"B" UNIT ASSEMBLY	8720	11742-000
11	11142	L.H. BLOWER HOUSING	8720	11142-005
12	11107	L.H. BLOWER WHEEL	8720	11107-000
13	11160	CLAMPING RIVET - 6 REQUIRED	8720	11160-015
14	11161	CLAMPING SPRING - 3 REQUIRED	8720	11161-003
15	11152	MOTOR HOUSING ASSEMBLY	8720	11152-005
16	19359	MOTOR MOUNT - 2 REQUIRED	8720	19359-000
17	11099	MOTOR	8720	26757-SER
18	11149	MOTOR PLATE	8720	11149-005
19	11106	R.H. BLOWER WHEEL	8720	11106-000
20	11136	R.H. BLOWER HOUSING	8720	11136-005
21	11189	RUBBER SLEEVE	8720	11189-000
22	11188	CABINET MOUNTING KIT	8720	11187-000
				 NOTE: Always order by current part number.