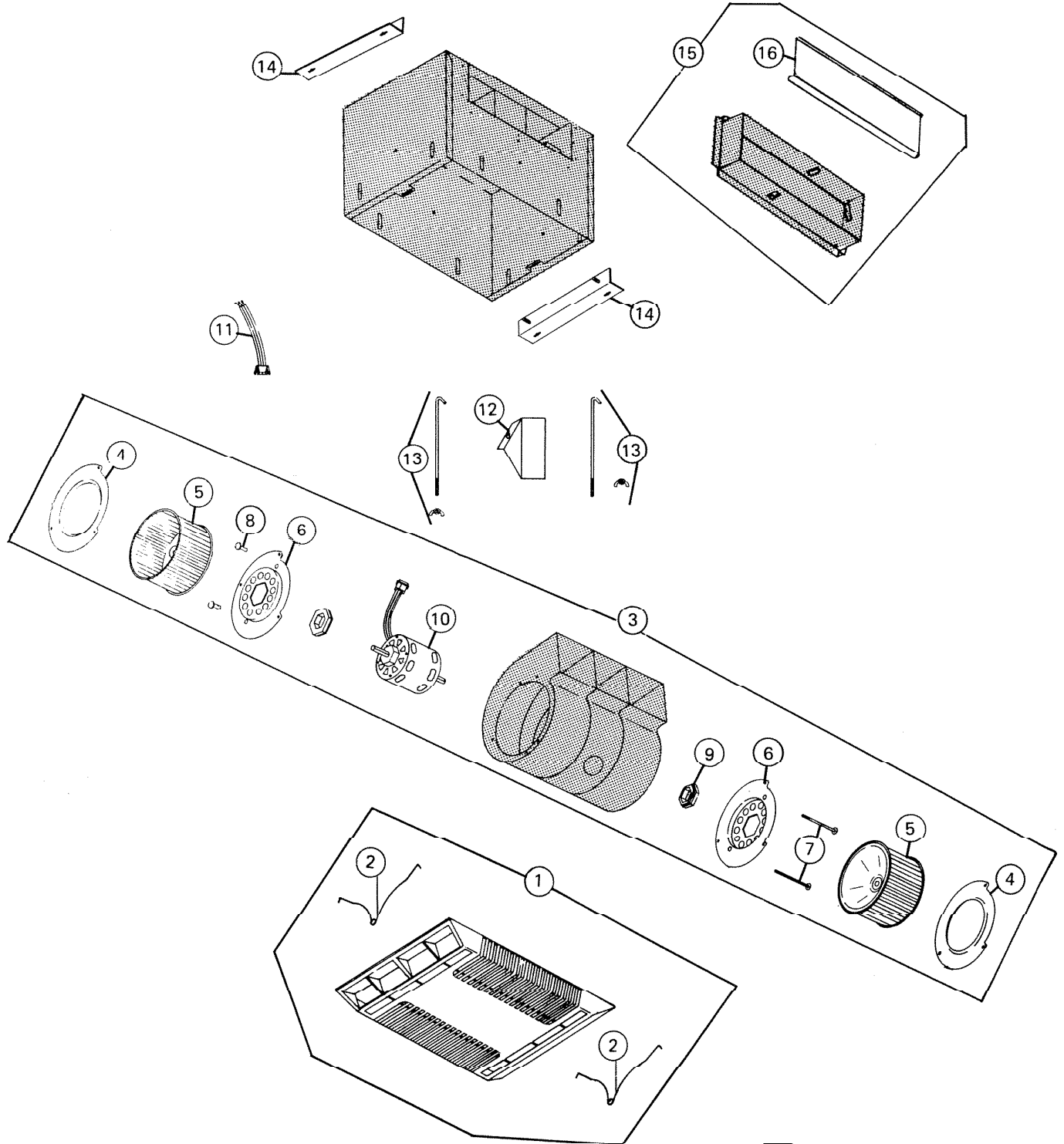


PARTS LIST


EFFECTIVE DATE	MODEL	PRODUCT GROUP
JANUARY 1985	8703 NEW	EXHAUST FAN



 NOT A PARTS DEPT. STOCK ITEM

NuTone Division

(PLEASE SEE OTHER SIDE)

REF.	ORIGINAL PART NO.	* PART DESCRIPTION	MODEL USED ON	CURRENT REPLACEMENT PART NO.
1	58732	GRILLE AND SPRING ASSEMBLY	8703	58732-000
2	54714	TORSION SPRING (1)	8703	54714-000
3	57231	BLOWER ASSEMBLY	8703	57231-000
4	58826	VENTURI PLATE	8703	58826-000
5	58824	BLOWER WHEEL	CCW	58824-000
	58825		CW	58825-000
6	65905	MOTOR PLATE	8703	65905-005
7	58828	SCREW #8-32x3 - 2 REQUIRED	8703	58828-015
8	58827	GRIP NUT - 2 REQUIRED	8703	58827-000
9	19360	MOTOR MOUNT	8703	19360-000
10	57233	MOTOR	8703	57233-000
11	58723	PLUG HOUSING ASSEMBLY	8703	58723-000
12	58724	JUNCTION BOX	8703	58724-000
13	58835	CLAMP ROD ASSY - 2 REQUIRED	8703	58835-000
14	58731	HANGER BRACKET ASSEMBLY	8703	58731-000
15	19749	DUCT AND LOUVER ASSEMBLY	8703	19749-000
16	67150	LOUVER ASSEMBLY	8703	67150-000
	58733	HARDWARE ASSEMBLY (NOT SHOWN)	8703	58733-000
				 NOTE: Always order by current part number.