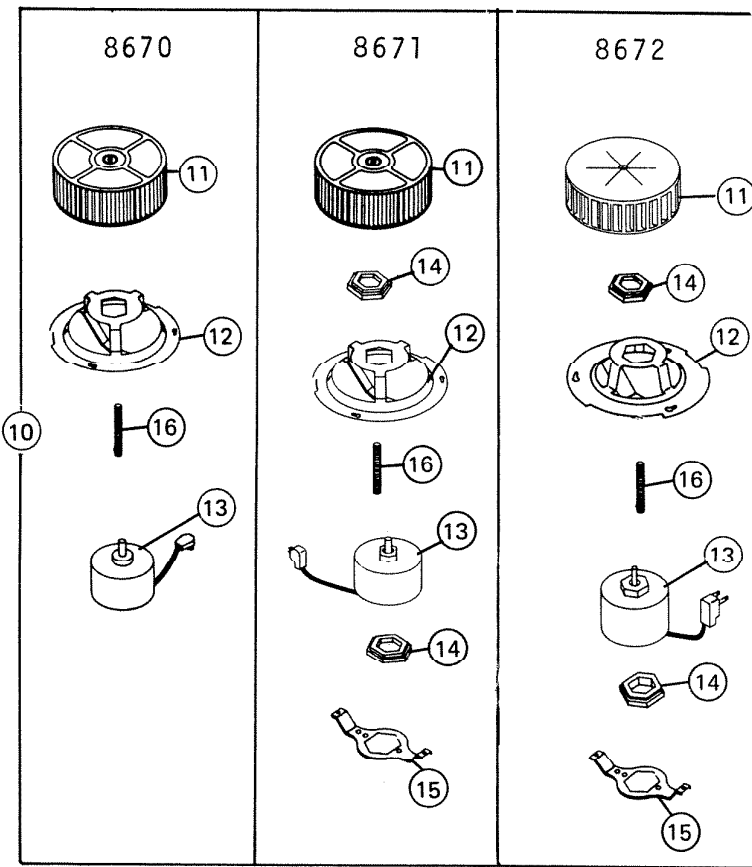
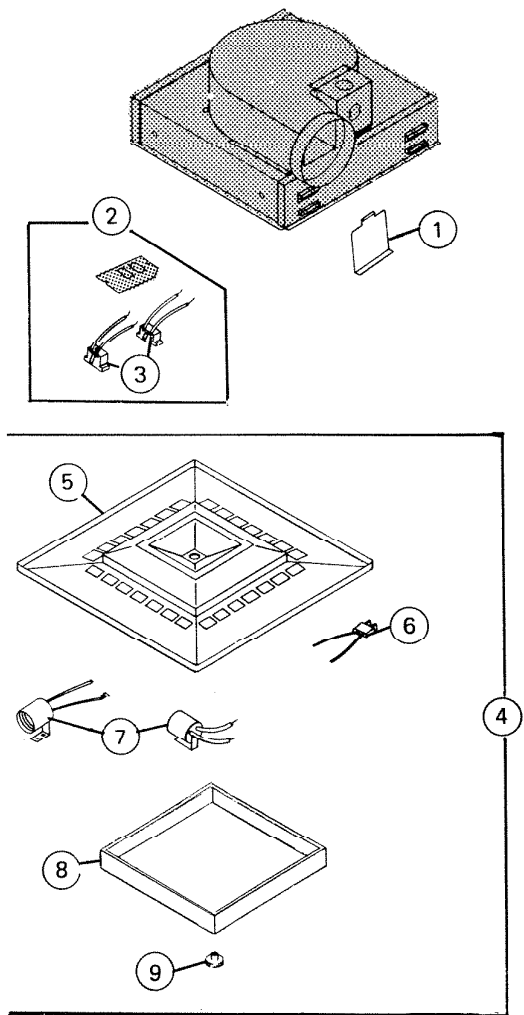


# PARTS LIST

EFFECTIVE DATE	MODEL	PRODUCT GROUP
JANUARY 1985	8670, 8671, 8672 REVISED OBSOLETE	EXHAUST FAN




 NOT A PARTS DEPT. STOCK ITEM

REF.	ORIGINAL PART NO.	* PART DESCRIPTION	MODEL USED ON	CURRENT REPLACEMENT PART NO.
1	11394	LOUVER ASSEMBLY	8670, 8671, 8672	11394-000
2	19763	OUTLET BOX COVER ASSEMBLY	8670	VOID-NOT AVAILABLE
	23201		8671 8672	29995-000
3	10034	PLUG RECEPTACLE - 2 REQUIRED (PLEASE SEE OTHER SIDE)	8670, 8671, 8672	10034-000

**NuTone**

PRINTED IN U.S.A.

 NOTE: Always order by current part number.

REF.	ORIGINAL PART NO.	* PART DESCRIPTION	MODEL USED ON	CURRENT REPLACEMENT PART NO.
4	19775	REFLECTOR AND LENS ASSEMBLY	8670,8671, 8672	19775-000
5	19776 22824 23206	REFLECTOR ASSEMBLY	8670 8671 8672	23206-000
6	19781	PLUG - WHITE	8670,8671, 8672	19781-000
7	19779	LAMP SOCKET - 2 REQUIRED	8670,8671, 8672	19779-000
8	19787	LENS	8670,8671, 8672	19787-000
9	21050	THUMB NUT	8670,8671, 8672	21050-000
10	19770	POWER UNIT ASSEMBLY	8670	VOID-NOT AVAILABLE
	22912		8671	VOID-NOT AVAILABLE
	23203		8672	23203-000
11	16296	BLOWER WHEEL	8670,8671	16296-000
	5900A		8672	5900A-000
12	19771	VENTURI RING AND BRACKET	8670	VOID-NOT AVAILABLE
	22913		8671	VOID-NOT AVAILABLE
	23204		8672	23204-000
13	26761	MOTOR	8670	26761-SER
	20370		8671	23388-SER
	23405		8672	23405-SER
14	19360	MOTOR MOUNT - 2 REQUIRED	8671,8672	19360-000
15	22811	MOTOR CLAMP	8671,8672	22811-000
16	19784	STUD	8670,8671, 8672	19784-015
17	19783	REFLECTOR MTG. PALNUT(NOT SHOWN)	8670,8671, 8672	19783-000