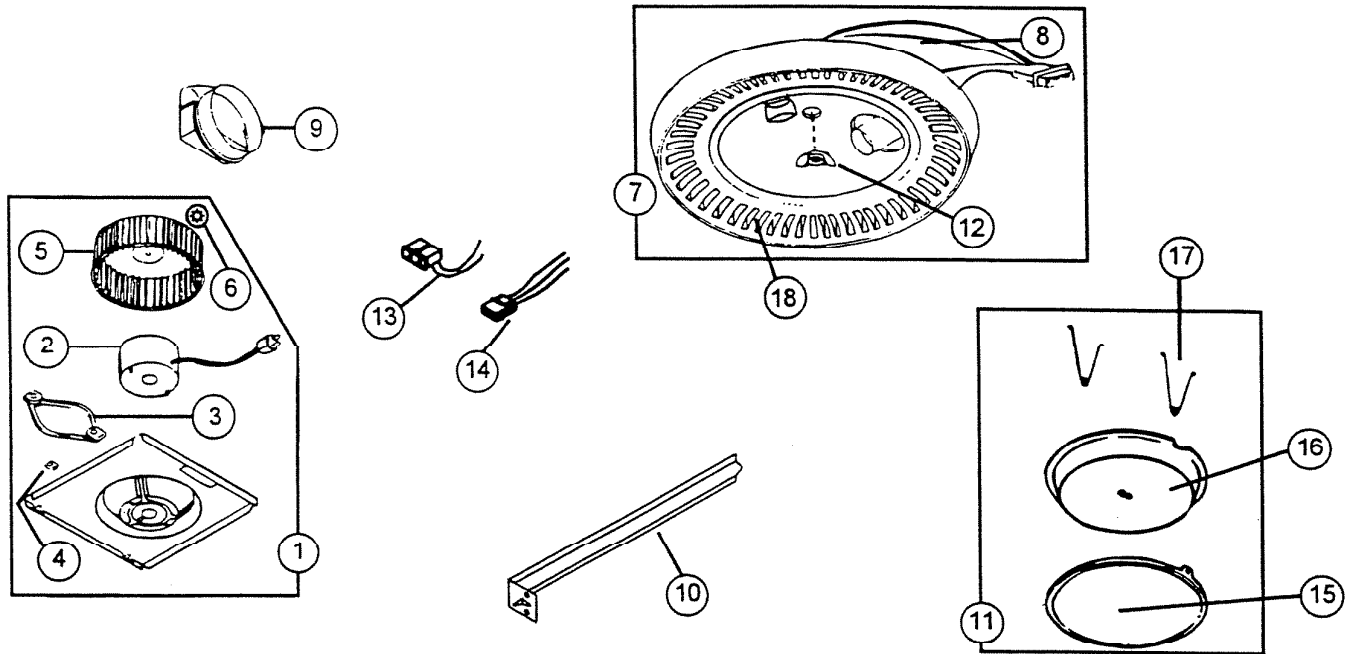


PARTS LIST

EFFECTIVE DATE	MODEL NUMBER	PRODUCT GROUP
Rev. APRIL 1999	8663RMSA 8663RMAB 8663RMBR	FAN



REF.	ORIGINAL PART NO.	PART DESCRIPTION	MODEL USED ON	CURRENT REPLACEMENT PART NO.
1	87618	POWER UNIT ASSEMBLY	8663RM SERIES	87618-000
2	86933	MOTOR	8663RM SERIES	86933-000
3	32787	MOTOR ISOLATION MOUNT	8663RM SERIES	32787-000
4	32788	GROUND CLIP	8663RM SERIES	32788-000
5	51919	BLOWER WHEEL	8663RM SERIES	5901A-000
6	63007	PUSH NUT	8663RM SERIES	63007-000
7	86305	REFLECTOR AND LAMP ASSEMBLY	8663RMSA	86305-000
	86306	REFLECTOR AND LAMP ASSEMBLY	8663RMAB	86306-000
	86307	REFLECTOR AND LAMP ASSEMBLY	8663RMBR	86307-000
8	85950	LAMP SOCKET ASSEMBLY	8663RM SERIES	85950-000
9	30652	DUCT ADAPTER ASSEMBLY	8663RM SERIES	30652-000
10	44388	HANGER BAR (1)	8663RM SERIES	44388-000
11	86310	RETAINING RING/LENS/SPRING ASSY	8663RMSA, 8663RMBR	86310-000
	86311	RETAINING RING/LENS/SPRING ASSY	8663RMAB	86311-000
12	16133	WING NUT	8663RM SERIES	16133-000
13	10034	FAN RECEPTACLE	8663RM SERIES	10034-000
14	36892	LIGHT RECEPTACLE	8663RM SERIES	36892-000

NuTone®

NuTone
Attn: Parts Department
Madison & Red Bank Rds.
Cincinnati, OH 45227-1599
Phone: (513) 527-5426
Fax: (513) 527-5173

NOTE: Always order by
current part number

8663RM I.I.

REF.	ORIGINAL PART NO.	PART DESCRIPTION	MODEL USED ON	CURRENT REPLACEMENT PART NO.
15	57889	RETAINING RING	8663RMSA, 8663RMBR	57889-206
	57889	RETAINING RING	8663RMAB	57889-110
16	85937	LENS	8663RM SERIES	85937-000
17	0443A	SPRING SET	8663RM SERIES	0443A-000
18	36919-014	REFLECTOR	8663MSA, 8663RMSA	36919-014
	36919-098	REFLECTOR	8663RMAB	36919-098
	36919-019	REFLECTOR	8663RMBR	36919-019

NuTone®

NuTone
 Attn: Parts Department
 Madison & Red Bank Rds.
 Cincinnati, OH 45227-1599

**NOTE: Always order by
 current part number**

8663RM I.I.