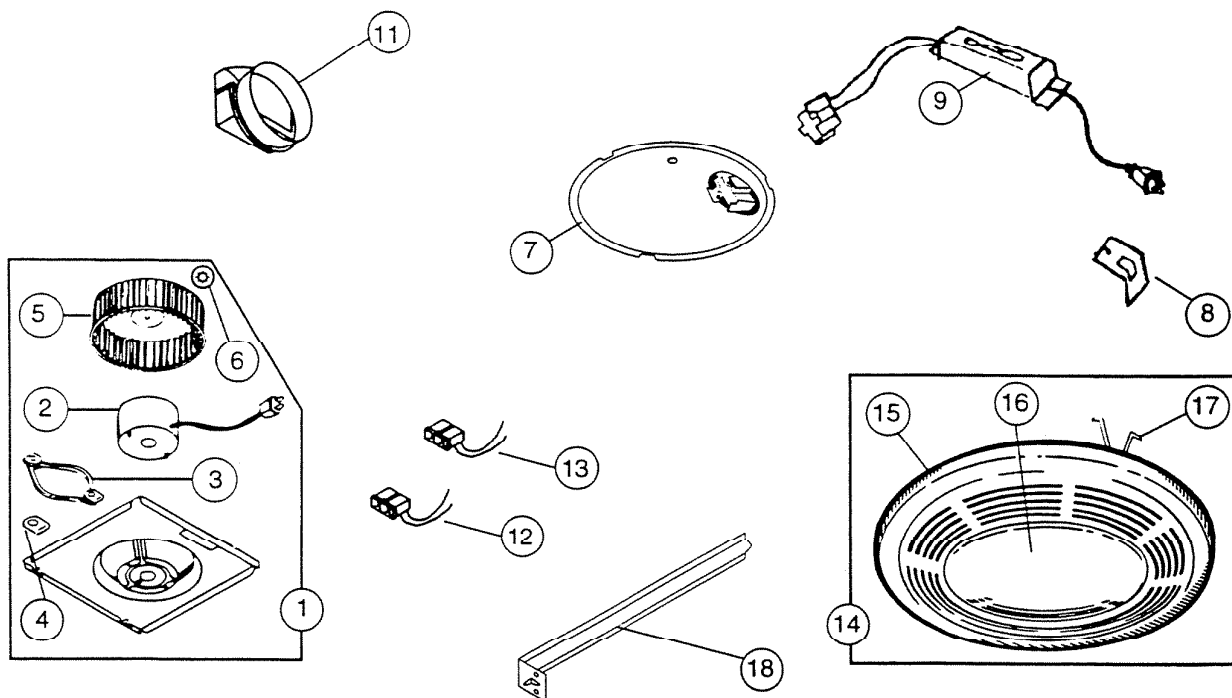


# PARTS LIST

EFFECTIVE DATE	MODEL NUMBER	PRODUCT GROUP
DECEMBER 1997	8663RF	FAN



REF.	ORIGINAL PART NO.	PART DESCRIPTION	MODEL USED ON	CURRENT REPLACEMENT PART NO.
1	87587	POWER UNIT ASSEMBLY	8663RF	87587-000
2	86933	MOTOR	8663RF	86933-000
3	32787	MOTOR ISOLATION MOUNT	8663RF	32787-000
4	32788	GROUND CLIP	8663RF	32788-000
5	51919	BLOWER WHEEL	8663RF	51919-000
6	63007	PUSH NUT	8663RF	51919-000
7	89248	REFLECTOR	8663RF	89248-000
8	85936	LAMPHOLDER BRACKET	8663RF	85936-000
9	85976	LAMPHOLDER, BALLAST & PLUG ASSEMBLY	8663RF	85976-000
10	16133	WING NUT	8663RF	16133-000
11	30652	DUCT ADAPTER ASSEMBLY	8663RF	30652-000
12	82304	RECEPTACLE - WHITE	8663RF	82304-000
13	10034	RECEPTACLE - BLACK	8663RF	10034-000
14	85970	GRILLE ASSEMBLY	8663RF	85970-000
15	89539	GRILLE	8663RF	89539-000
16	85937	LENS	8663RF	85937-000
17	57000	GRILLE SPRING (1)	8663RF	57000-000
18	44388	HANGER BAR (1)	8663RF	44388-000

# NuTone

NuTone  
 Attn: Parts Department  
 Madison & Red Bank Rds.  
 Cincinnati, OH 45227-1599  
 Phone: (513) 527-5426  
 Fax: (513) 527-5173

NOTE: Always order by current part number

8663RF I.I.