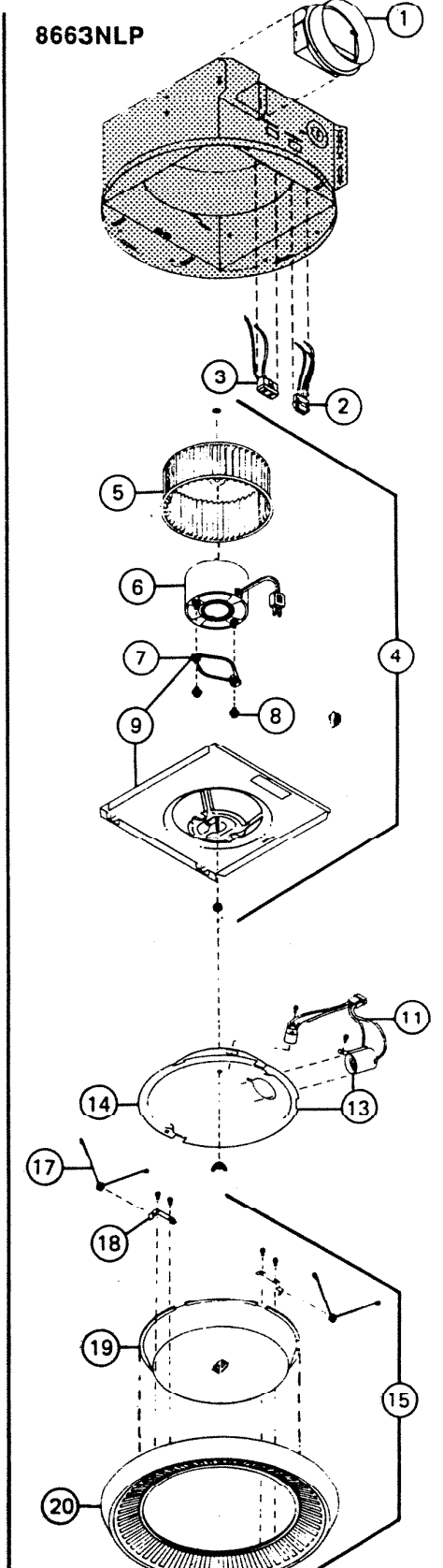
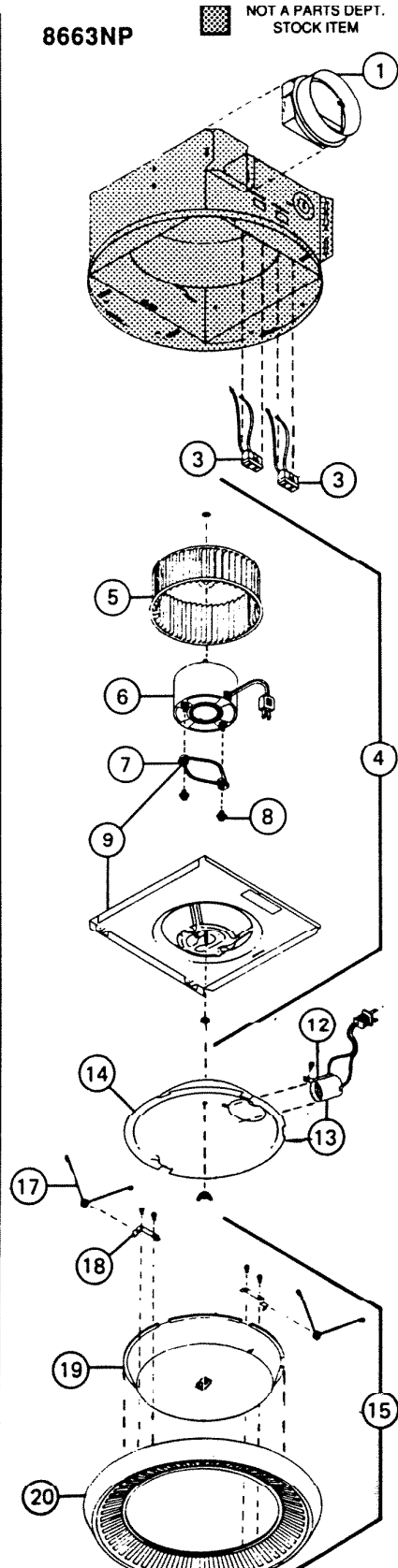
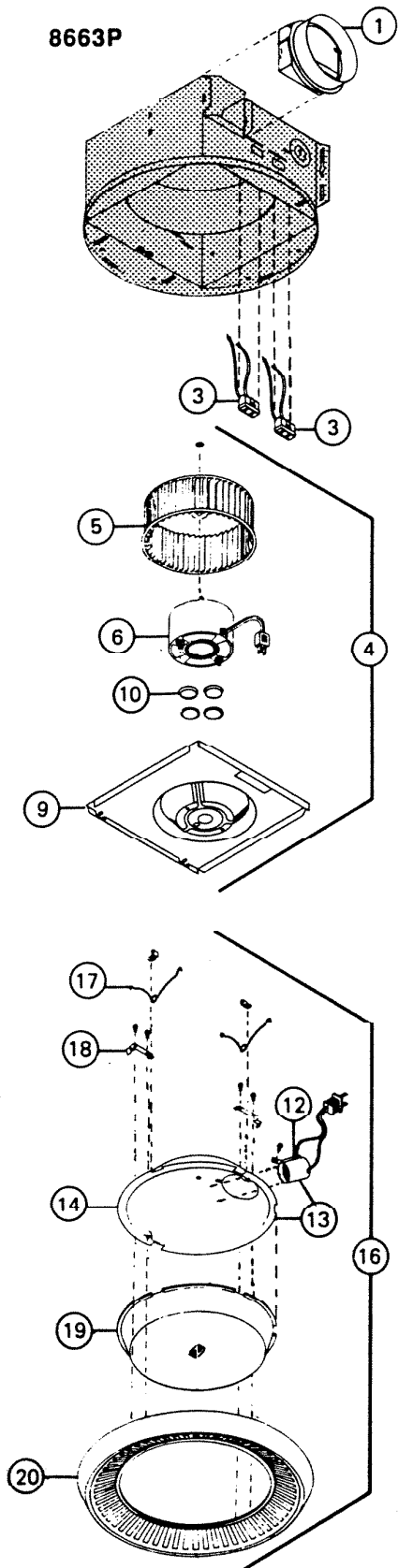


PARTS LIST

EFFECTIVE DATE	MODEL	PRODUCT GROUP
APR. 1992	8663P 8663NP REVISED 8663NLP NEW	FAN



REF.	ORIGINAL PART NO.	* PART DESCRIPTION	MODEL USED ON	CURRENT REPLACEMENT PART NO.
1	53697	DUCT ADAPTER ASSEMBLY	8663P 8663NP	30652-000
	30652		8663NLP	
2	36892	PLUG HOUSING ASSEMBLY	8663NLP	36892-000
3	10034	RECEPTACLE (1) - 2 Required for P & NP	All Models	10034-000
4	0410A	POWER UNIT ASSEMBLY	8663P	0410A-000
	0411A		8663NP 8663NLP	0411A-000
5	51919	BLOWER WHEEL W/ Push Nut	All Models	5900A-000
6	53581	MOTOR W/Bumper Set For 8663P		0407A-000
7	32787	MOTOR ISOLATION MOUNT	8663NP 8663NLP	0441A-000
8	32789	GROMMET NUT SET – For Motor	8663NP 8663NLP	0463A-000
9	58472	MOTOR MOUNTING PLATE W/Motor Isolation Mount	8663P	0464A-000
	0455A		8663NP 8663NLP	0455A-000
10	54229	BUMPER SET (4)	8663P	0406A-000
11	36895	LAMP SOCKETS & PLUG HSNQ. ASSY.	8663NLP	36895-000
12	53588	LAMP SOCKET	8663P 8663NP	53588-000
13	53586	REFLECTOR & LAMP SOCKET ASSY.	8663P	Use Ref. No. 16
	57805		8663NP	57805-000
	36893		8663NLP	36893-000
14	53587	REFLECTOR	8663P	1173A-000
	57806		8663NP	57806-000
	36894		8663NLP	36894-206
15	57807	GRILLE ASSEMBLY	8663NP 8663NLP	57807-000

▲

**NOTE: Always Order By
Current Part Number**

REF.	ORIGINAL PART NO.	* PART DESCRIPTION	MODEL USED ON	CURRENT REPLACEMENT PART NO.
16	1163A	GRILLE & REFLECTOR ASSEMBLY	8663P	1163A-000
17	66742	SPRING SET - (2)	8663P	0446A-000
	57000		8663NP 8663NLP	0444A-000
18	33977	RETAINER CLIP - Lens (1) - 2 Required	All Models	33977-015
19	53585	LENS		53585-000
20	53584	GRILLE W/Lens Retainer Clips	8663P	1168A-000
	57808		8663NP 8663NLP	


NOTE: Always Order By Current Part Number