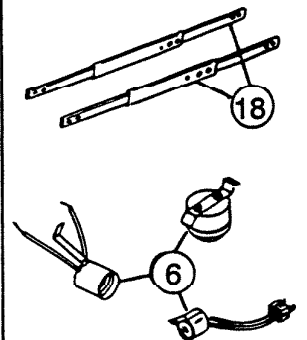
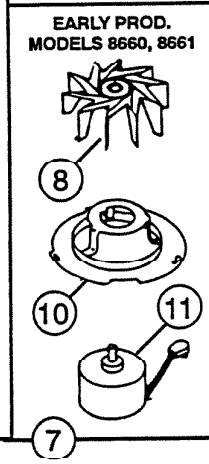
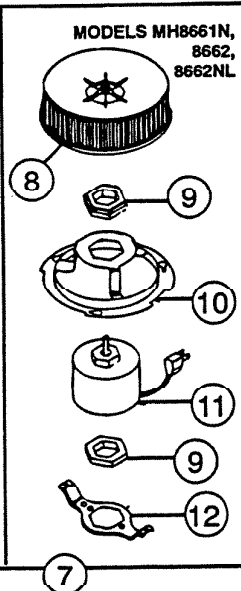
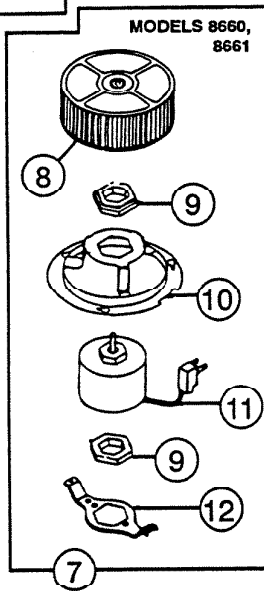
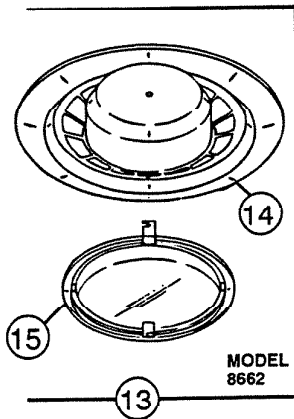
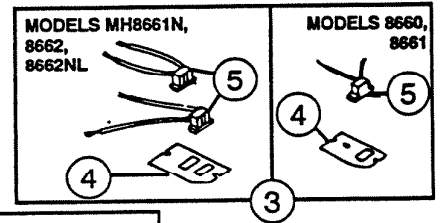
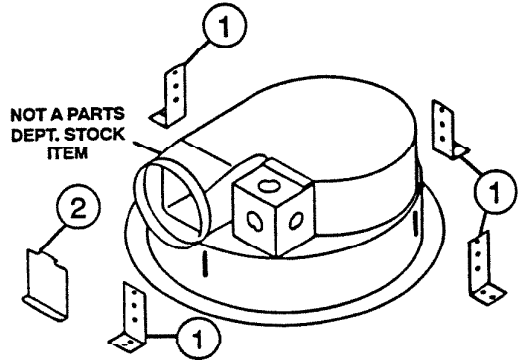
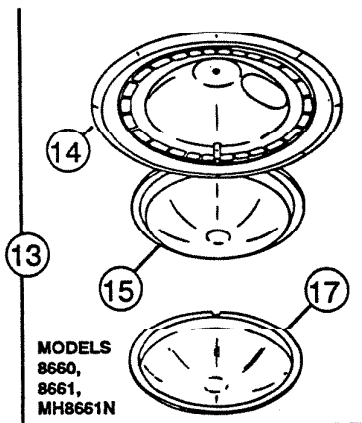
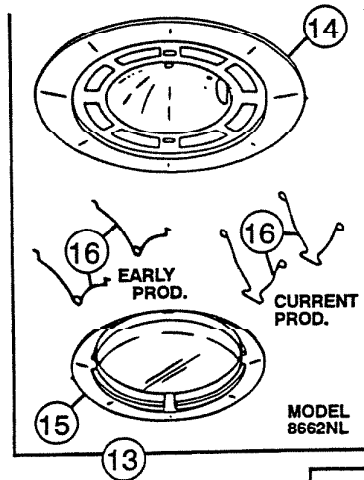


# PARTS LIST

EFFECTIVE DATE	MODEL NUMBER	PRODUCT GROUP
JANUARY 1995	8660, 8661 MH8661N 8662, 8662NL REVISED	FAN



REF.	ORIGINAL PART NO.	*PART DESCRIPTION	MODEL USED ON	CURRENT REPLACEMENT PART NO.
1	10949	CEILING MOUNTING BRACKET (SET OF 4)	8660, 8661 8662, 8662NL	53194-000
	10173		MH8661N	VOID-NOT AVAILABLE
2	11394	LOUVER ASSEMBLY	8660, 8661 MH8661N 8662, 8662NL	11394-000

(PLEASE SEE OTHER SIDE)

# NuTone

NuTone  
Attn: Parts Department  
Madison & Red Bank Rds.  
Cincinnati, OH 45227-1599  
Phone: (513) 527-5426  
Fax: (513) 527-5173

NOTE: Always order by current part number

REF.	ORIGINAL PART NO	*PART DESCRIPTION	MODEL USED ON	CURRENT REPLACEMENT PART NO	
3	16099	OUTLET BOX COVER ASSEMBLY	8660, 8661	VOID-NOT AVAILABLE	
	29995		MH8661N	29995-000	
	23201		8662, 8662NL		
4	16100	OUTLET BOX COVER	8660, 8661	VOID-NOT AVAILABLE	
	23202		MH8661N 8662, 8662NL	VOID-NOT AVAILABLE	
5	10034	RECEPTACLE	1 - REQUIRED	8660, 8661 MH8661N 8662, 8662NL	
			2 - REQUIRED		10034-000
6	16092	LAMP SOCKET	8660, 8661	VOID-NOT AVAILABLE	
	29994		MH8661N	29994-000	
	23435		8662	23435-000	
	67134		8662NL	67134-000	
7	16103	"B" UNIT	8660, 8661	VOID-NOT AVAILABLE	
	22915		MH8661N 8662, 8662NL	23411-000	
	19797				
	23411				
8	16296	BLOWER WHEEL	METAL 5 1/4" x 2"	8660, 8661	16296-000
	65461		PLASTIC 6 1/4" x 2"	MH8661N 8662, 8662NL	5900A-000
9	19360	MOTOR MOUNT HEX — 2 REQUIRED		8661 MH8661N 8662, 8662NL	19360-000
10	17962	VENTURI RING	8660	VOID-NOT AVAILABLE	
	22874		8661	VOID-NOT AVAILABLE	
	22808		MH8661N 8662, 8662NL	23387-000	
	23387				
11	16313	MOTOR	8660	VOID-NOT AVAILABLE	
	20370		8661	23405-SER	
	23405		MH8661N, 8662, 8662NL	23405-SER	
12	22790	MOTOR CLAMP ASSEMBLY		8661 MH8661N 8662, 8662NL	22790-000
(PLEASE SEE NEXT PAGE)					

↑

**NOTE: Always order by current part number**

REF.	ORIGINAL PART NO.	*PART DESCRIPTION	MODEL USED ON	CURRENT REPLACEMENT PART NO.
13	16113	REFLECTOR AND BEZEL ASSEMBLY	8660	29991-000
	22814		8661 MH8661N	
	1016A		8662, 8662N	VOID-NOT AVAILABLE
14	16114	REFLECTOR ASSEMBLY	8660	29991-000
	22815		8661 MH8661N	
	23430		8662	VOID-NOT AVAILABLE
	67141		8662NL	
15	16115	BEZEL AND LENS ASSEMBLY	8660, 8661 MH8661N	16115-000
	23416		8662	VOID-NOT AVAILABLE
	67135		8662NL	VOID-NOT AVAILABLE
16	29861	SPRING	EARLY PRODUCTION	0442A-000
	68506		CURRENT PRODUCTION	8662NL
17	16093	LENS	8660, 8661 MH8661N	16115-000
	23420		8662, 8662NL	23420-000
18	13307	HANGER ROD SET	8660, 8661	13306-000
	13308		8662 8662NL	

↑

**NOTE: Always order by current part number**