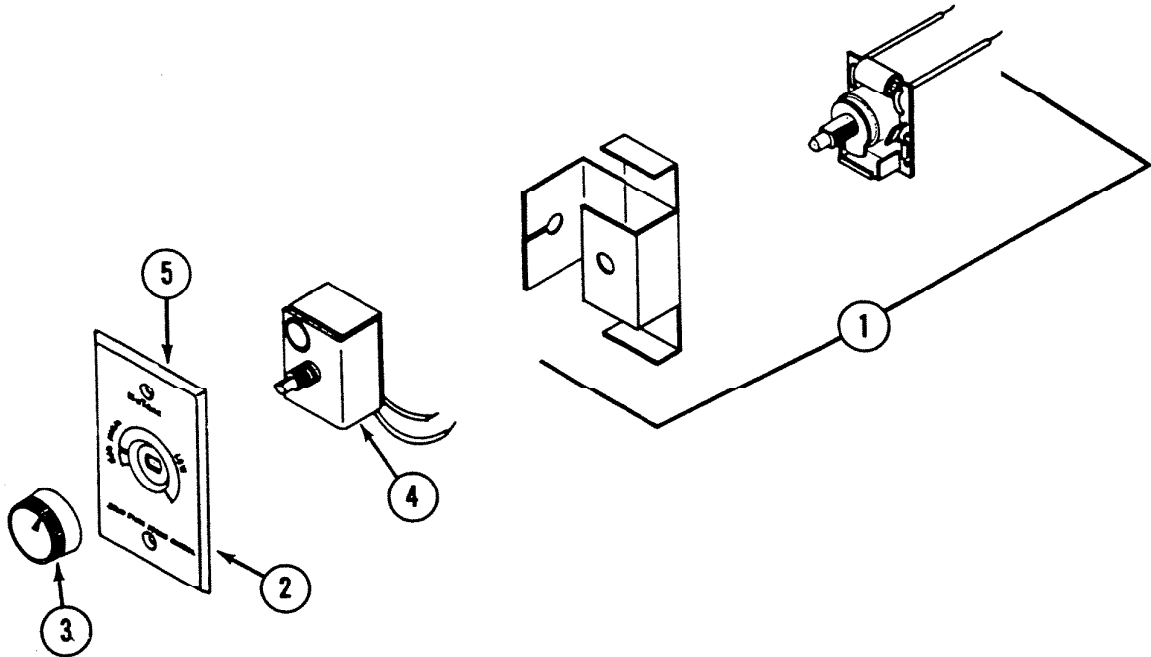


EFFECTIVE DATE
May 1, 1970

NuTone PARTS LIST

MODEL
VS-65 - 864
SPEED CONTROL



REF.	PART NO.	*Part used on other model/s	PART DESCRIPTION
1	21231		Fan Speed Switch VS-65
2	21233		Wall Plate VS-65
3	21404		Knob VS-65 and 864
4	21824		Fan Speed Switch 864
5	21232		Wall Plate 864
-	10303		Mounting Screws (2 required) VS-65 - 864

Order Parts From: PARTS DEPT. C/O

NuTone